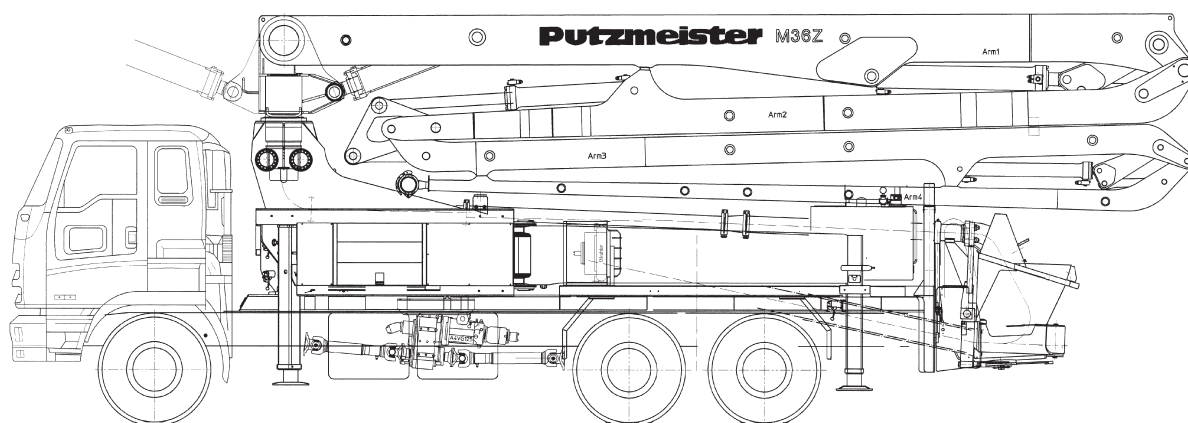
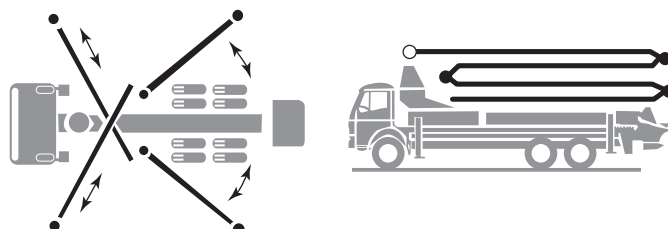


Truck-mounted concrete pump

BRF/BSF 36.09 H

Output up to 90 m³/h
Delivery pressure up to 78 bar



Standard Version.

Technical data for concrete pump

Model	BRF 36.09H	BSF 36.09H
Output	90 m ³ /h	
Delivery pressure	78 bar	
Delivery cyl. fl	230 mm	
Stroke of delivery cyl.	1400 mm	
Strokes volume 2 delivery cyl.	116L	
Strokes / 100m ³	1724	
Strokes / minute	26	
Hydraulic ratio	4.4	
Transfer tube	C transfer tube (R 2002)	S transfer tube (S 2318N)
Hopper	RC 704 Approx. 600 L	RS 907A Approx. 600 L
Filling height	approx. 1.35 m	
Control system	Free-Flow Hydraulics (FFH)	

* Dimensions, weights and engine power depend on truck model.

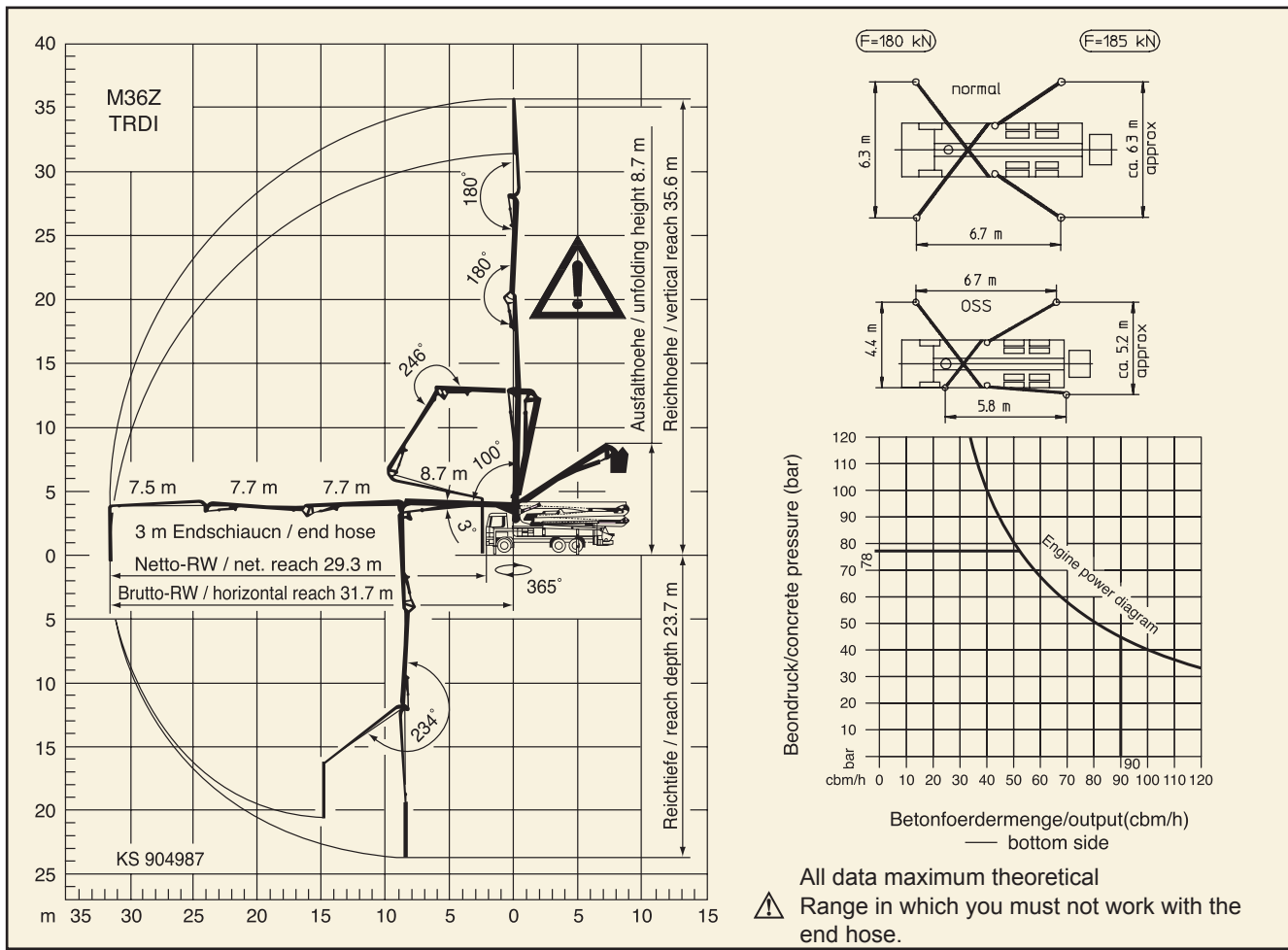
All data maximum theoretical.

Right to make technical amendments and interpretation reserved by Putzmeister.

Technical data for boom

Model	Boom M36-4
Reach height	35.6 m
Horizontal reach	31.7 m
Reach depth max.	23.7 m
Max. Support leg force	Front: 18.0Mp/180kn Rear: 18.5Mp/185kn
Unfolding height	8.7 m
End hose length	3 m
Delivery line	DN 125, max. 85 bar
Slewing circle	365°
Slewing speed	1 rotation in 140 sec.
Number of arms	4
Folding system	Z fold
Hydraulic control	Modul Boom Control (MBC)
Remote control	Cable remote control
Support	Front: Telescoping, diagonally Rear: Swinging

Reach information diagram, Support, Performance diagram



• Standard version / ◦ Optional extras

- Water tank volume approx. BRF:610L
BSF:650L
- Delivery cylinder \varnothing 230mm
- BRF: RC 704 hopper with trunk R2002
BSF: RS 907A hopper with S2318N transfer tube
- Support plates 4x in magazine
- MBC
- Delivery line DN 125(5.5"), 133 x 4
- End hose 3.0m, DN 125(5.5")
- G64 PTO gearbox
- Cable remote control
- Remote control cable 40m
- Tool box
- Spray hose 10m with nozzle
- Flushing water pump: 160L/min, 25 bar
- Painting: Arm assembly RAL 3020, signal red
- Painting: Pump MB 1227, chrome yellow
- Output regulator
- Central grease lubrication hand pump for hopper
- Rubber collar for hopper (S-Valve)
- TUBE 2318 W/90MM SHAFT (BSF only)
- Protected cover for plunger cylinder
- Agitator Safety switch off, electrical
- Cleaning port and catching basket
- Pneum. diesel spraying equipment for hopper
- Side deck (Aluminium)
- Central lubrication CP+Boom, electr.
- Radio remote control
- OSS one side support