

## 7 SPECIFICATIONS

### 7.1 Chassis & Pump Technical Data

Overall Parameters	
Length	17555 mm
Width	2500 mm
Height	4000 mm
Gross mass	63000 kg

Boom and Outrigger Specifications		
Vertical reach	66 m	
Horizontal reach	62 m	
Reach depth	44.6 m	
Minimum unfolding reach	34.0 m	
1 <sup>st</sup> section	Length	13400 mm
	Articulation	90°
2 <sup>nd</sup> section	Length	11000 mm
	Articulation	180°
3 <sup>rd</sup> section	Length	10900 mm
	Articulation	180°
4 <sup>th</sup> section	Length	13100 mm
	Articulation	260°
5 <sup>th</sup> section	Length	8155 mm
	Articulation	180°
6 <sup>th</sup> section	Length	5460 mm
	Articulation	90°
Rotaion	±360°	
Outrigger spread L-R-front	13755 mm	
Outrigger spread L-R-rear	14870 mm	
Outrigger spread width-front-rear on LH	13950 mm	
Outrigger spread width-front-rear on RH	13950 mm	

Chassis Specifications	
Chassis model	BENZ Actros 6555 12X6
Engine model	OM502LA
Engine power	405kW/1800rpm
Emission standard	Euro III
Fuel tank capacity	400 L
Output	15.928 L
Maximum speed	85 km/h
Brake distance	≤10 m/30 km/h

# SPECIFICATIONS

SYG5631THB 66



Pump Specifications		
Output	Low pressure	170 m <sup>3</sup> /h
	High pressure	120 m <sup>3</sup> /h
Delivery pressure	Low pressure	8.5 Mpa
	High pressure	12 Mpa
Strokes/min	Low pressure	24.5 times/min
	High pressure	17 times/min
Delivery cylinder diameter		260 mm
Stroke length		2200 mm
Hydraulic system		Open
System oil pressure		32 Mpa
Fuel tank capacity		650 L
Water tank capacity		900 L
Pipeline size		125 mm
End hose length		3 m
End hose diameter		125 mm

## 7.2 Chassis Dimension

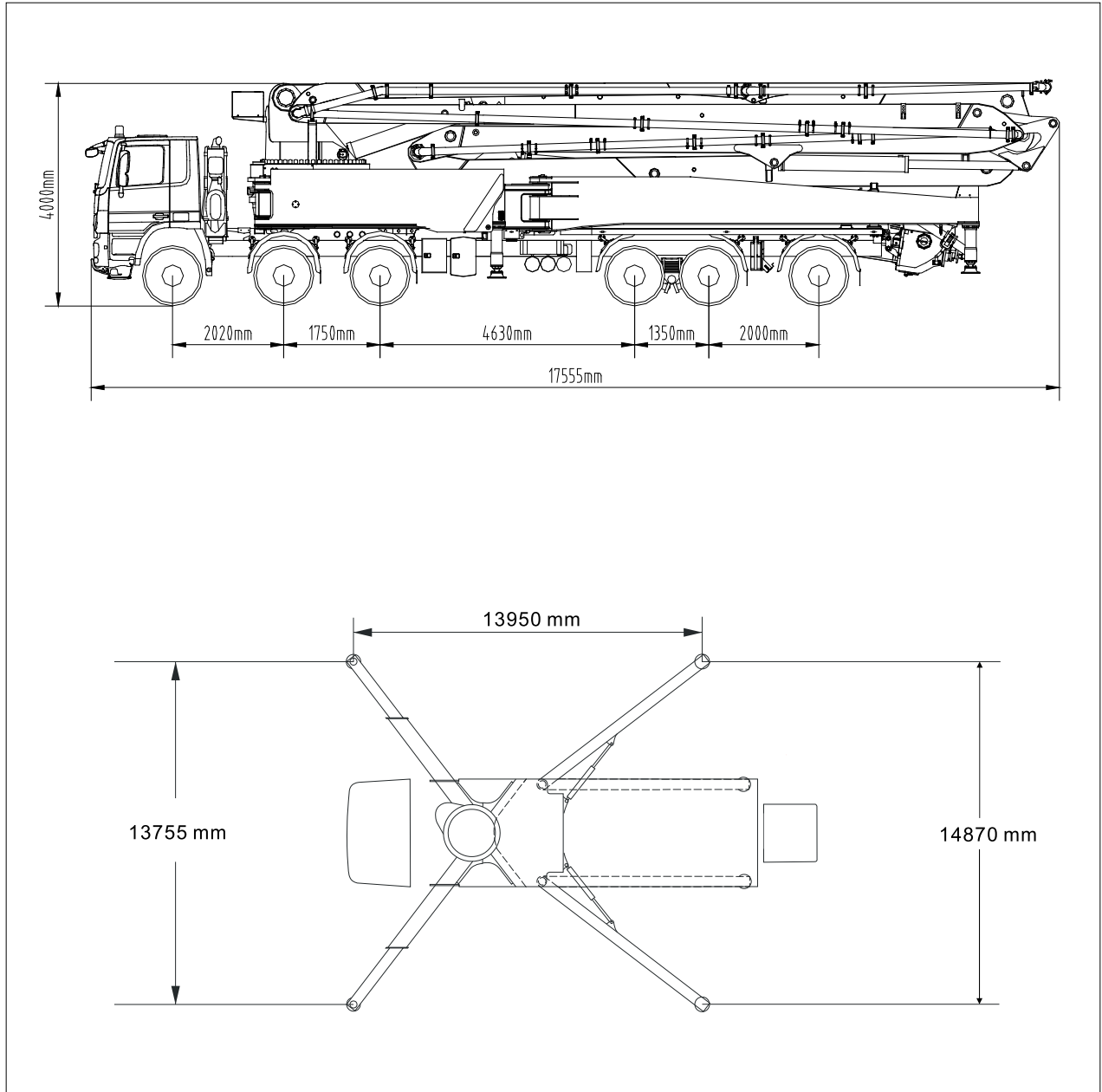


Fig 7-1

### 7.3 Boom Operating Range

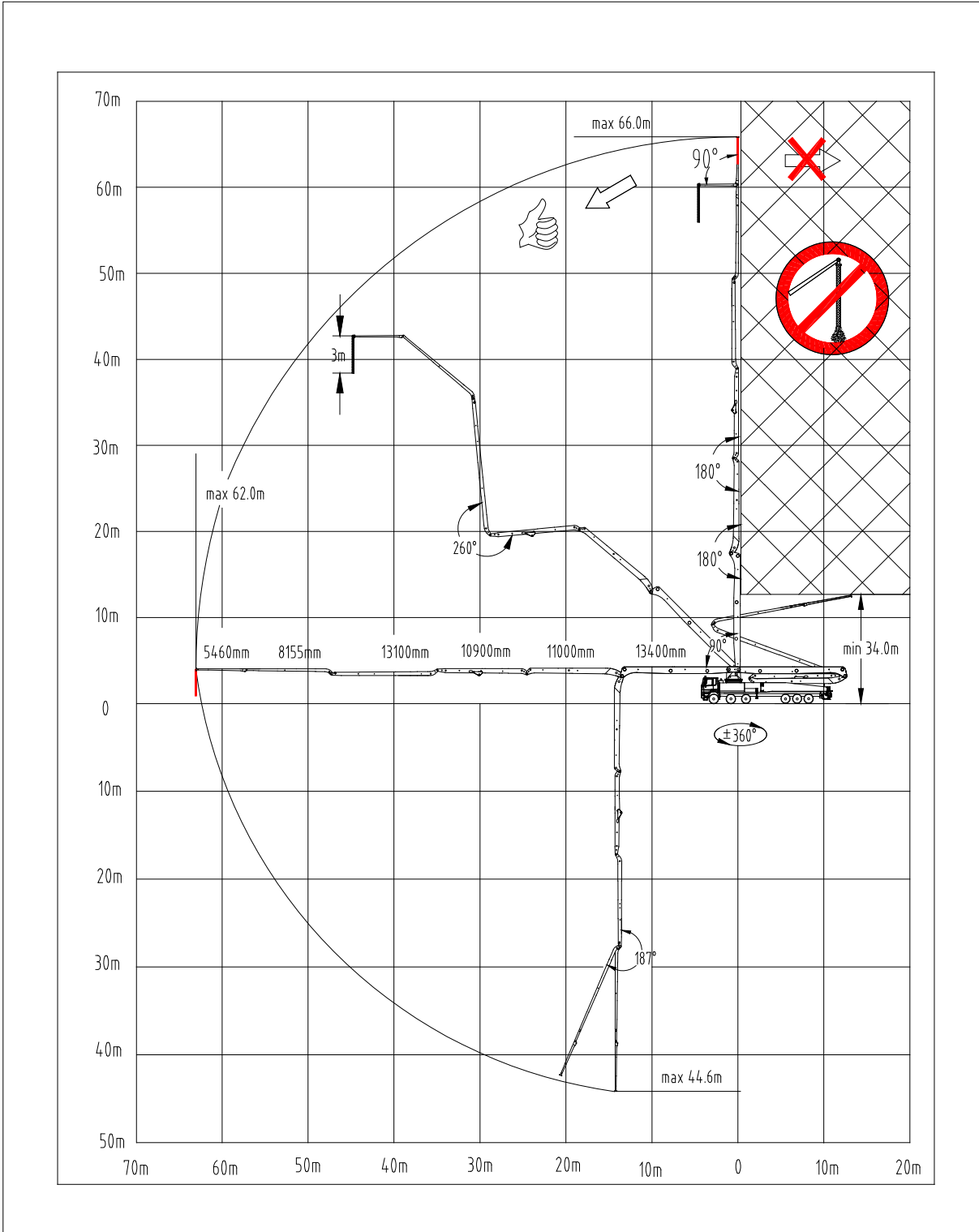


Fig 7-2