



BIBI 1090-BL EVO
1090-BL ELC

BIBI 1090-BL EVO 1090-BL ELC

FEATURES

- Auto Stabilization
- No Outriggers
- Workable on Ramp / Uneven Ground
- Self Levelling on Uneven Ground
- Integrated Drive System (Using Single Joystick)
- Ultrasonic Anti-Collision System

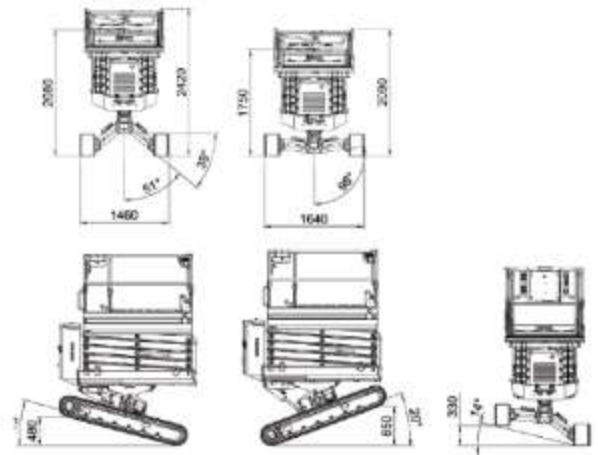
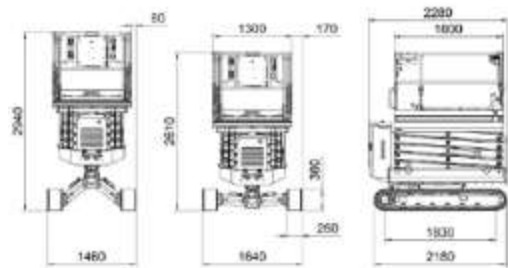
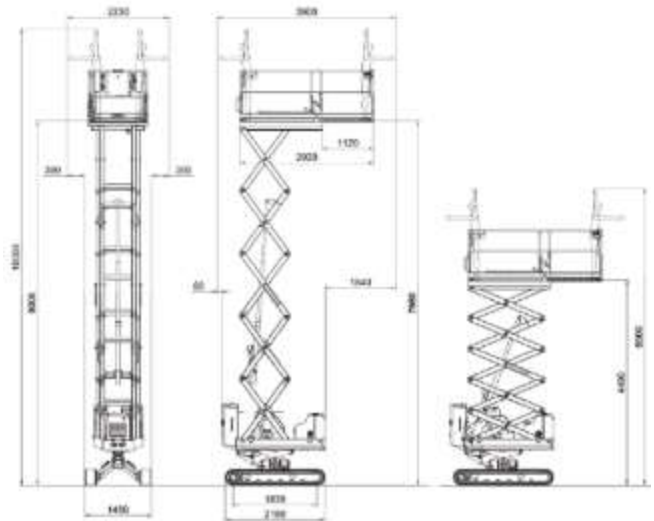
Click [HERE](#) for VIDEO.....



BIBI 1090-BL EVO

1090-BL ELC

Technical Data	BIBI 1090-BL/ELC
Platform Capacity	300kg (2p.)
Max. working height	10m
Max. platform height	8m
Moving height	6.5m
Power	KUBOTA Z602/ Lead Crystal Battery
Accelerator	Auto.
Undercarriage	Bi levelling
Platform levelling	Auto.
Longitudinal levelling Front	+/- 15°
Longitudinal levelling Rear	+/- 20°
Lateral levelling	+/- 14°
Electric Pump (option)	220V-2kW
Hydraulic commands	Proportional
Dynamic levelling system	Yes
Pro-Active levelling system	Yes
Direction- Control system	Yes
Easy- Drive system	Yes
Maximum Speed	Max 2.7km/h / 2.2km/h
Ground emergency	Yes
Control of inclination	Auto.
Gradeability	25°
Side Slope	21°
Length	2.26m
Width	1.46 -1.64m
Min. Machine height with folded railings	2.05 (1.89) m
Total weight	2,830kg / 3,090kg
Compliance	EN 280: 2015



* Product specifications are subject to change without notice or obligation

ON-SITE PICTURES



ON-SITE PICTURES





JIBBI 1670 EVO

JIBBI 1670 EVO

FEATURES

- Auto Stabilization
- No Outriggers
- Workable on Ramp / Uneven Ground
- Self Levelling on Uneven Ground
- Integrated Drive System (Using Single Joystick)
- Ultrasonic Anti-Collision System

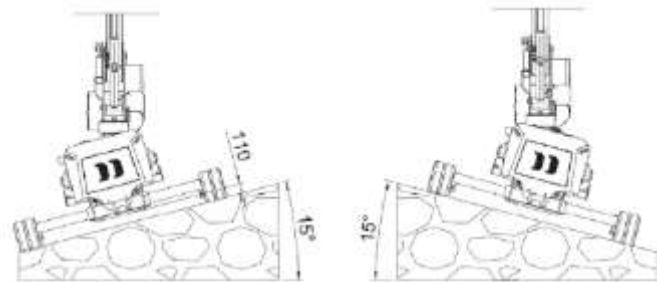
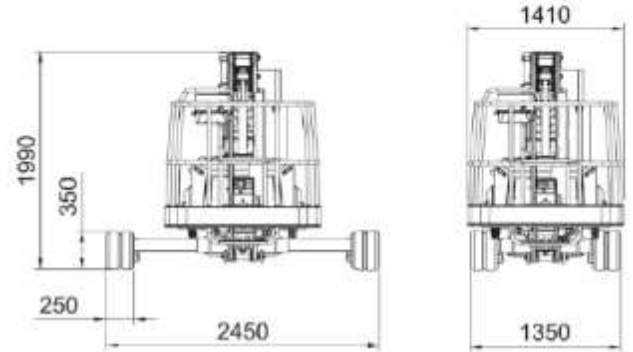
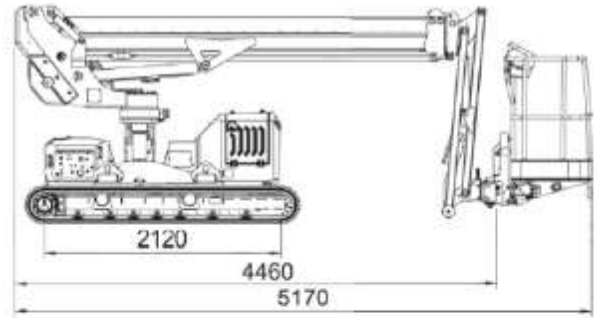
Click [HERE](#) for VIDEO.....



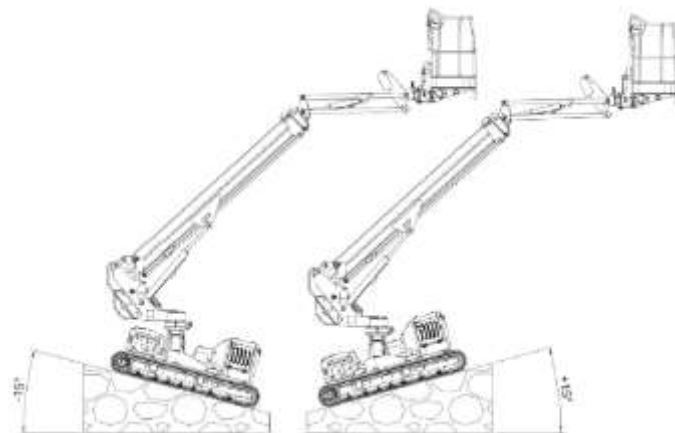
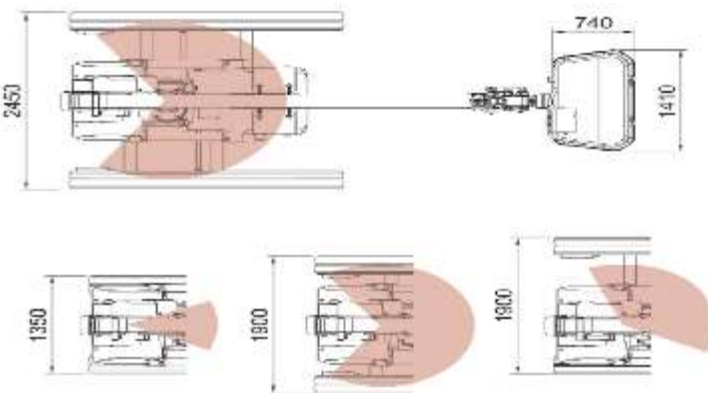
JIBBI 1670 EVO

Technical Data	JIBBI 1670 EVO
Max. Working height	16m
Max. Height basket floor	14m
Moving Height	9.8m
Max. Outreach (Load 80kg)	8.5m
Max. Outreach (Load 140kg)	7.7m
Max. Outreach (Load 230kg)	6.7m
Rotation angle	+/- 110°
Basket size	1.4 x 0.7 m
Basket rotation angle	+/- 70°
Max. basket capacity	230kg
Length in stowed position (with detached basket)	5.1(4.4) m
Min. width in stowed position	1.35m
Max. working width	2.45m
Min. height in stowed position	1.99m
Longitudinal leveling	+/- 15°
Lateral leveling	+/- 15°
Max. gradeability	25°
Max. side gradeability	25°
Drive speed (fast)	2.5 km/h
Security speed	0.4 km/h
Traffic load	3.1kN/m ²
Total weight	3,850 kg

* Product specifications are subject to change without notice or obligation



UNDERCARRIAGE CONFIGURATIONS & WORKING AREAS



ON-SITE PICTURES

