

# MEGAHOIST MG500

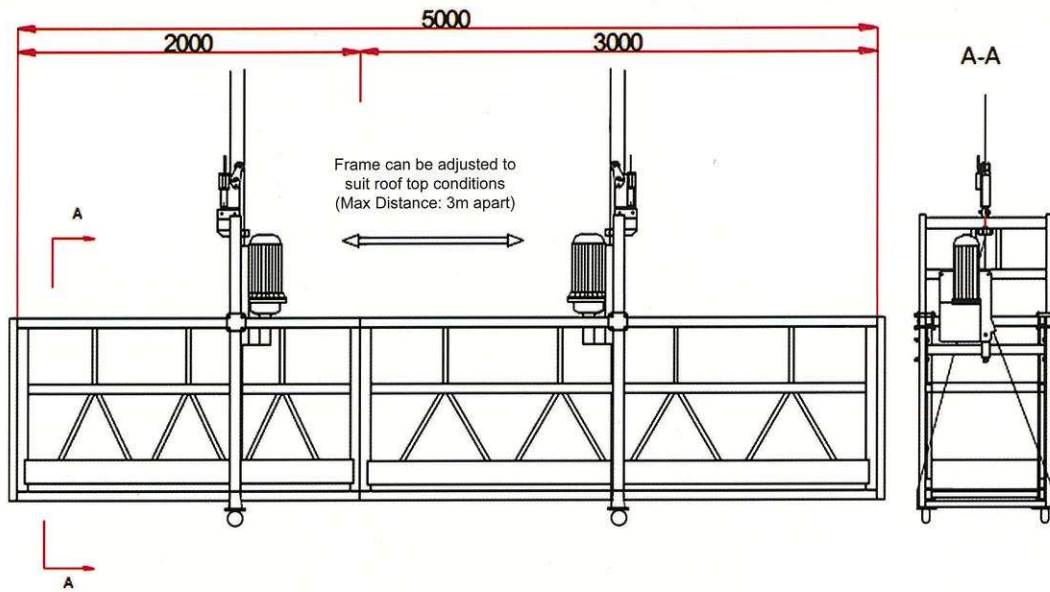
The Gondola's simple design and effectiveness has seen it not only being used in the construction industry but also other industries requiring vertical access.

They are used for works such as installation of glass panels, aluminium cladding, repainting and repair works. They also used in oil tank refineries for access to chimneys, cold boxes, on ships and dry docks and even for external and internal cleaning of silos.

Reference	Modular Elements	Platform Length	Platform Weight	Safe Working Load (SWL)
1	2	2m	144 kg	500 kg
2	3	3m	192 kg	500 kg
3	2 + 2	4m	240 kg	500 kg
4	2 + 3	5m	288 kg	500 kg

## FEATURES

- Lightweight modular platform made entirely from aluminium
- 2m and 3m modules
- Length varies from 1m to 5m
- Guardrail height at 1m
- 690mm width of free working space
- Fast and easy assembly with bolts and screws
- Machine operated by electricity (Electrical Power is 3 Phase)
- Low Voltage control button to prevent electric shock
- RC-33 Anti Tilting Device
- Safe Working Load (SWL) of 500kg for 5m platform

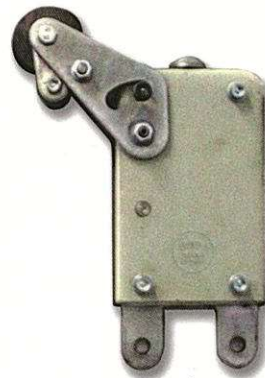


The modular gondola platform comes in standard lengths of 1m, 2m, 3m and can be assembled in various combinations to form a single length platform subject to an engineer's approval.



## MEGA HOIST MG500

Our Megahoist MG500 has undergone vigorous TUV/ SUD load tests conducted by Professional Engineers from PSB Corporation.



## RC33 ANTI - TILTING DEVICE/ BLOCKSTOP

This anti-tilting device comes in tandem with the suspended platform to react when the suspension wire rope snaps or when there is a motor failure.

This safety device will react within 100m to prevent the gondola from falling.

Technical Data Chart	MODEL
	MEGAHOIST MG500
Rated Capacity	500 kg
Lifting Speed	9-11 m/min
Rated Power	1.5 x 2 kW
Safety Lock Model	RC 33
Dimensions of Platform	(L)5000 mm x (W)690 mm x (H)1150 mm
Weight of Suspension Mechanism	225 kg x 2
Counter-weight	500 kg x 2
Weight of Lifting Part	
· Steel Platform	405 kg
· Aluminium Alloy Platform	260 kg

Technical Data Chart	MODEL
	MEGAHOIST RC 33
Rated Lifting Force	5 kN
Lifting Speed	9.6 m/min
Wire Rope Diameter	8.3 mm
Electric Motor	
· Power	1.5 kW
· Voltage	380 V
· Frequency	50 Hz
· Brake Torque	15 Nm
· Rotation Speed	1420 rev/min