



DP/GP15N - DP/GP18N - DP/GP20CN
DP/GP20N - DP/GP25N - DP/GP30N
DP/GP35N

Specifications

Engine powered lift trucks

1.5 - 3.5 tonnes



Characteristics			Cat Lift Trucks	Cat Lift Trucks	Cat Lift Trucks
1.01	Manufacturer (abbreviation)		DP15N	DP18N	DP20CN
1.02	Manufacturer's model designation		Diesel	Diesel	Diesel
1.03	Power source: (battery, diesel, LP gas, petrol)		Seated	Seated	Seated
1.04	Operator type: pedestrian, (operator)-standing, -seated		1500	1750	2000
1.05	Load capacity	Q (kg)	500	500	500
1.06	Load center distance	c (mm)	400	400	415
1.08	Load distance, axle to fork face	x (mm)	1400	1400	1400
1.09	Wheelbase	y (mm)			
Weight					
2.01	Truck weight, without load / including battery (simplex mast, lowest lift height)	kg	2530	2720	3030
2.02	Axle loading with maximum load, front/rear (simplex mast, lowest lift height)	kg	3520/510	3880/590	4330/700
2.03	Axle loading without load, front/rear (simplex mast, lowest lift height)	kg	1060/1470	1000/1720	1020/2010
Wheels, Drive Train					
3.01	Tyres: V=solid, L=pneumatic, SE=solid pneumatic - front/rear		SE / SE	SE / SE	SE / SE
3.02	Tyre dimensions, front		6.50-10-10	6.50-10-10	6.50-10-10
3.03	Tyre dimensions, rear		5.00-8-8	5.00-8-8	5.00-8-8
3.05	Number of wheels, front/rear (x=driven)		2x / 2	2x / 2	2x / 2
3.06	Track width (center of tyres), front	b10 (mm)	890	890	890
3.07	Track width (center of tyres), rear	b11 (mm)	900	900	900
Dimensions					
4.01	Mast tilt, forwards/backwards	∂/β °	6 / 10	6 / 10	6 / 10
4.02	Height with mast lowered (see tables)	h1 (mm)	1990	1990	1990
4.03	Free lift (see tables)	h2 (mm)	80	80	80
4.04	Lift height (see tables)	h3 (mm)	3000	3000	3000
4.05	Overall height with mast raised	h4 (mm)	4055	4055	4055
4.07	Height to top of overhead guard	h6 (mm)	2140	2140	2140
4.08	Seat height	h7 (mm)	930	930	930
4.12	Tow coupling height	h10 (mm)	290	290	290
4.19	Overall length	l1 (mm)	3180	3220	3275
4.20	Length to fork face (includes fork thickness)	l2 (mm)	2260	2300	2355
4.21	Overall width	b1/b2 (mm)	1065/-	1065/-	1065/-
4.22	Fork dimensions (thickness, width, length)	s / e / l (mm)	35x100x920	35x100x920	35x100x920
4.23	Fork carriage to DIN 15 173 A/B/no		2A	2A	2A
4.24	Fork carriage width	b3 (mm)	920	920	920
4.31	Ground clearance under mast, with load	m1 (mm)	110	110	110
4.32	Ground clearance at center of wheelbase, with load (forks lowered)	m2 (mm)	135	135	135
4.33	Working aisle width with 1000 x1200 mm pallets, crosswise	Ast (mm)	3550	3580	3635
4.34	Working aisle width with 800 x1200 mm pallets, crosswise	Ast (mm)	3350	3380	3435
4.35	Turning circle radius	Wa (mm)	1950	1980	2020
4.36	Minimum distance between centers of rotation	b13 (mm)	555	555	555
Performance					
5.01	Travel speed, with/without load	km/h	19/19.5	19 / 19.5	19 / 19.5
5.02	Lifting speed, with/without load	m/s	0.60 / 0.65	0.60 / 0.65	0.60 / 0.65
5.03	Lowering speed, with/without load	m/s	0.52 / 0.50	0.52 / 0.50	0.52 / 0.50
5.05	Rated drawbar pull, with/without load	N	11900 / 11500	11700 / 11500	11400 / 11500
5.07	Gradeability, with/without load	%	31/52	27/47	24/41
5.10	Service brakes (mechanical/hydraulic/electric/pneumatic)		Hydraulic	Hydraulic	Hydraulic
IC Engine					
7.01	Manufacturer / Type		S4Q2	S4Q2	S4Q2
7.02	Rated / Nominal output to ISO 1585**	kW	28	28	28
7.03	Rated speed to DIN 70 020	rpm	2500	2500	2500
7.04	Number of cylinders / cubic capacity	cm ³	4 / 2505	4 / 2505	4 / 2505
Miscellaneous					
8.01	Type of drive control		Powershift / 1	Powershift / 1	Powershift / 1
8.02	Maximum operating pressure for attachments	bar	180	180	180
8.03	Oil flow for attachments	l/min	62	62	62
8.04	Noise level, value at operators ear (EN 12053)		80	80	80
8.05	Towing coupling design / DIN type, ref.		PIN	PIN	PIN

Net power according 97/68/EC



	Cat Lift Trucks DP20N	Cat Lift Trucks DP25N	Cat Lift Trucks DP30N	Cat Lift Trucks DP35N	Cat Lift Trucks GP15N	Cat Lift Trucks GP18N	Cat Lift Trucks GP20CN	Cat Lift Trucks GP20N	
	Diesel	Diesel	Diesel	Diesel	LP gas	LP gas	LP gas	LP gas	
	Seated	Seated	Seated	Seated	Seated	Seated	Seated	Seated	
	2000	2500	3000	3500	1500	1750	2000	2000	
	500	500	500	500	500	500	500	500	
	455	460	495	495	400	400	415	455	
	1600	1600	1700	1700	1400	1400	1400	1600	
	3380	3680	4350	4740	2470	2660	2980	3270	
	4640/740	5430/750	6510/840	7220/1020	3510/460	3870/540	4320/660	4600/670	
	1450/1930	1430/2250	1750/2600	1670/3070	1040/1430	990/1670	1010/1970	1410/1860	
	SE / SE	SE / SE	SE / SE	SE / SE	SE / SE	SE / SE	SE / SE	SE / SE	
	7.00-12-12	7.00-12-12	28x9-15-12	250-15-12	6.50-10-10	6.50-10-10	6.50-10-10	7.00-12-12	
	6.00-9-8	6.00-9-10	6.50-10-10	6.50-10-12	5.00-8-8	5.00-8-8	5.00-8-8	6.00-9-8	
	2x / 2	2x / 2	2x / 2	2x / 2	2x / 2	2x / 2	2x / 2	2x / 2	
	960	960	1060	1060	890	890	890	960	
	980	980	980	980	900	900	900	980	
	6 / 10	6 / 10	6 / 10	6 / 10	6 / 10	6 / 10	6 / 10	6 / 10	
	1995	1995	2015	2130	1990	1990	1990	1990	
	100	100	95	95	80	80	80	95	
	3000	3000	3000	3000	3000	3000	3000	3000	
	4055	4055	4055	4055	4055	4055	4055	4055	
	2145	2145	2165	2175	2140	2140	2140	2145	
	940	940	990	990	930	930	930	940	
	310	310	330	340	290	290	290	310	
	3405	3480	3805	3865	3180	3220	3275	3405	
	2485	2560	2735	2795	2260	2300	2355	2485	
	1150 / 1640	1150 / 1640	1275/1690	1290/1690	1065/-	1065/-	1065/-	1150 / 1640	
	45 x 100 x 920	45 x 100 x 920	45 x 122 x 1070	45 x 122 x 1070	35x100x920	35x100x920	35x100x920	45 x 100 x 920	
	2A	2A	3A	3A	2A	2A	2A	2A	
	1000	1000	1000	1000	920	920	920	1000	
	115	115	135	150	110	110	110	115	
	135	135	165	170	135	135	135	135	
	3855	3885	4070	4130	3550	3580	3635	3855	
	3655	3685	3870	3930	3350	3380	3435	3655	
	2200	2230	2380	2440	1950	1980	2020	2200	
	715	715	780	780	555	555	555	715	
	19 / 19.5	19 / 19.5	19 / 19.5	19 / 19.5	19 / 19.5	19 / 19.5	19 / 19.5	19 / 19.5	
	0.64 / 0.67	0.64 / 0.67	0.51 / 0.54	0.43 / 0.46	0.64 / 0.65	0.64 / 0.65	0.64 / 0.65	0.59 / 0.61	
	0.50 / 0.50	0.50 / 0.50	0.53 / 0.50	0.42 / 0.40	0.52 / 0.50	0.52 / 0.50	0.52 / 0.50	0.50 / 0.50	
	17200 / 16700	17100/16600	17500 / 17300	15900 / 16000	16700/16300	16700/16200	16600/16400	16400/16100	
	34/57	29/51	25/45	20/36	47/87	41/76	36/66	33/57	
	Hydraulic	Hydraulic	Hydraulic	Hydraulic	Hydraulic	Hydraulic	Hydraulic	Hydraulic	
	S4S	S4S	S4S	S4S	GCT GK21E	GCT GK21E	GCT GK21E	GCT GK21E	
	35.3	35.3	35.3	35.3	41	41	41	41	
	2250	2250	2250	2250	2700	2700	2700	2700	
	4 / 3331	4 / 3331	4 / 3331	4 / 3331	4 / 2065	4 / 2065	4 / 2065	4 / 2065	
	Powershift / 1	Powershift / 1	Powershift / 1	Powershift / 1	Powershift / 1	Powershift / 1	Powershift / 1	Powershift / 1	
	180	180	180	180	180	180	180	180	
	75	75	73	73	60	60	60	68	
	78	78	78	78	79	79	79	79	
	PIN	PIN	PIN	PIN	PIN	PIN	PIN	PIN	



	Cat Lift Trucks	Cat Lift Trucks	Cat Lift Trucks
	GP25N	GP30N	GP35N
	LP gas	LP gas	LP gas
	Seated	Seated	Seated
	2500	3000	3500
	500	500	500
	460	495	495
	1600	1700	1700
	3570	4240	4630
	5390/680	6470/770	7180/950
	1390/2180	1710/2530	1630/3000
	SE/SE	SE/SE	SE/SE
	7.00-12-12	28x9-15-12	250-15-12
	6.00-9-10	6.50-10-10	6.50-10-12
	2x/2	2x/2	2x/2
	960	1060	1060
	980	980	980
	6/10	6/10	6/10
	1995	2015	2130
	95	100	100
	3000	3000	3000
	4055	4055	4055
	2145	2165	2175
	940	990	990
	310	330	340
	3480	3805	3865
	2560	2735	2795
	1150 / 1640	1275/1690	1290/1690
	45 x 100 x 920	45 x 122 x 1070	45 x 122 x 1070
	2A	3A	3A
	1000	1000	1000
	115	135	150
	135	165	170
	3885	4070	4130
	3685	3870	3930
	2230	2380	2440
	715	780	780
	19 / 19.5	19 / 19.5	19 / 19.5
	0.59 / 0.61	0.52 / 0.53	0.43 / 0.44
	0.50 / 0.50	0.53 / 0.50	0.42 / 0.40
	16400/15900	20900/20600	19100/19100
	28/51	31/57	25/46
	Hydraulic	Hydraulic	Hydraulic
	GCT GK21E	GCT GK25E	GCT GK25E
	41	46.9	46.9
	2700	2700	2700
	4 / 2065	4 / 2488	4 / 2488
	Powershift / 1	Powershift / 1	Powershift / 1
	180	180	180
	68	73	73
	79	79	79
	PIN	PIN	PIN

Lower Cost of Ownership

- Modern design techniques in combination with long life of components result in a long service interval reducing the total cost of ownership.
- Vehicle Control Module manages various truck and operator functions allowing easy trouble shooting and pin pointing of problems.
- LCD display provides extensive information on truck operation and maintenance state. It also indicates service requirements to prevent unexpected down time and cost due to unscheduled maintenance and service.
- LED lights on the front work lights and front/rear combination lights reduce energy consumption and maintenance costs.
- Robust and durable chassis with full belly guard construction that protects the engine compartment from dust, water and dirt.

Unmatched Productivity

- State-of-the-art LPG engine with electronic engine management system with 3-way catalytic converter for great performance, low noise and emission levels. This powerful proven industrial engine also brings efficient fuel usage.
- Fully floating powertrain layout to lower the centre of gravity, increases truck stability and residual lifting capacities.
- Reliable, high performance diesel engine, with low emission levels and low fuel consumption.
- Its compact design makes this range suitable also in aisles with reduced dimensions.
- The mast carriage features six bearings, increasing durability and lifting speed while the powerful hydraulic system offers high residual capacities for easy handling of heavier loads.

Safety and Ergonomics

- Presence Detection System (PDS) prevents truck operation when operator is not seated.
- Low noise levels keep the operator concentrated while reducing fatigue in long shifts.
- Fingertip hydraulic controls mounted on a fully adjustable armrest for optimum load handling and easy maneuverability.
- Operator Pin Code to prevent unauthorized usage of the truck
- Automotive style pedal layout for easy and comfortable operation.
- Adjustable steering column with memory position that adjusts to operator's preference for comfortable operation.
- Low step in chassis for easy on and off access.
- Good all-round visibility and ergonomic layout of all controls improves comfort minimizing fatigue of the operator.
- Handgrip mounted at the rear of the overhead guard with a horn button increases safety and reduces back strain and fatigue in applications with repetitive reversing.

Options

- Elevated exhaust
- Additional working lights and revolving lamps
- Manual hydraulic controls
- Heavy duty steering link
- Indicator kit for monitoring condition of air cleaner and level of brake fluid and coolant

DP/GP15-18N DP/GP20CN				DP/GP15N		DP/GP18N		DP/GP20CN	
Mast type	h3	h1	h4	h2/h5	Q @	h2/h5	Q @	h2/h5	Q @
	mm	mm	mm		c=500mm		c=500mm		c=500mm
	mm	mm	mm	mm	kg	mm	kg	mm	kg
Simplex	3000	1990	4055	80	1500	80	1750	80	2000
	3300	2140	4355	80	1500	80	1750	80	2000
	3500	2240	4555	80	1500	80	1750	80	2000
	3700	2340	4755	80	1500	80	1750	-	2000
	4000	2540	5055	80	1500	80	1750	80	2000
	4500	2790	5555	80	1475	80	1700	80	1950
	5000	3050	6055	80	1375	80	1600*	80	1400
	5500	3300	6555	80	1250*	80	1525*	-	-
	6000	3550	7055	80	1200*	80	1325*	-	-
Duplex	3000	1995	4055	940	1500	940	1750	940	2000
	3290	2140	4350	1085	1500	1085	1750	1085	2000
	3510	2260	4570	1205	1500	1205	1750	1205	2000
	4030	2585	5085	1530	1500	1530	1750	1530	2000
Triplex	3700	1790	4755	735	1500	735	1750	735	2000
	4000	1890	5055	835	1475	835	1750	835	2000
	4300	1990	5355	935	1425	935	1700	935	1950
	4700	2140	5755	1085	1375	1085	1625	1085	1900
	5000	2240	6055	1185	1325	1185	1575*	1185	1325
	5500	2430	6555	1375	1250*	1375	1500*	-	-
	6000	2610	7055	1555	1175*	1555	1325*	-	-
	6500	2850	7555	1759	950*	1795	950*	-	-
	7000	3050	8055	1995	650*	1995	650*	-	-

Mast Performance and Capacity

- h1 Height with mast lowered
- h2 Standard free lift
- h3 Lift height
- h4 Height with mast raised
- h5 Full free lift
- Q Lifting capacity, rated load
- c Load centre (distance)

DP/GP20N - DP/GP25N				DP/GP20N		DP/GP25N		DP/GP30N				
Mast Type	h3	h1	h4	h2/h5	Q @	h2/h5	Q @	h3	h1	h4	h2/h5	Q @
	mm	mm	mm		c=500mm		c=500mm					c=500mm
	mm	mm	mm	mm	kg	mm	kg	mm	mm	mm	mm	kg
Simplex	3000	1995	4055	100	2000	100	2500	3000	2015	4055	95	3000
	3300	2145	4345	100	2000	100	2500	3300	2165	4355	95	3000
	3500	2245	4555	100	2000	100	2000	3500	2265	4555	95	3000
	3700	2345	4755	100	2000	100	2500	3700	2365	4755	95	3000
	4000	2545	5055	100	2000	100	2500	4000	2565	5055	95	3000
	4500	2800	5560	100	2000	100	2500	4500	2815	5555	95	3000
	5000	3065	6055	100	1950	100	2400	5000	3115	6055	95	2900
	5500	3315	6555	100	1850*	100	2250*	5500	3365	6555	95	2800
	6000	3565	7055	100	1800*	100	2150*	6000	3615	7055	95	2700
Duplex	3000	1995	4055	940	2000	935	2500	3000	2045	4055	990	3000
	3300	2145	4350	1090	2000	1085	2500	3250	2165	4305	1110	3000
	3530	2265	4585	1210	2000	1205	2500	3490	2285	4545	1230	3000
	4020	2590	5075	1535	2000	1530	2500	4010	2610	5065	1555	3000
Triplex	3700	1795	4755	740	2000	740	2500	3700	1815	4755	760	3000
	4000	1895	5055	840	2000	840	2500	4000	1915	5055	860	3000
	4300	1995	5355	940	2000	940	2500	4300	2015	5355	960	3000
	4700	2145	5755	1090	1950	1090	2400	4700	2165	5755	1110	3000
	5000	2245	6055	1190	1900	1190	2350	5000	2265	6055	1210	2900
	5500	2415	6555	1360	1800	1360	2200*	5500	2435	6555	1380	2800
	6000	2585	7055	1530	1750*	1530	2100*	6000	2605	7055	1550	2700
	6500	2795	7555	1740	1650*	1740	1750*	6500	2815	7555	1760	2350
	7000	3065	8055	2010	1250*	2010	1250*	7000	3115	8055	2060	1600

DP/GP35N					
Mast Type	h3	h1	h4	h2/h5	Q @
	mm	mm	mm		mm
	mm	mm	mm	mm	kg
Simplex	3000	2130	4055	95	3500
	3300	2280	4355	95	3500
	3500	2380	4555	95	3500
	3700	2480	4755	95	3500
	4000	2680	5055	95	3500
	4500	2930	5555	95	3500
	5000	3230	6055	95	3500
	5500	3480	6555	95	3350
	6000	3730	7055	95	3250
Duplex	3010	2180	4065	1125	3500
	3300	2300	4355	1245	3500
	3500	2445	4555	1390	3500
	4000	2765	5055	1710	3500
Triplex	3700	1930	4755	875	3500
	4000	2030	5055	975	3500
	4300	2130	5355	1075	3500
	4700	2280	5755	1225	3500
	5000	2380	6055	1325	3450
	5500	2550	6555	1495	3300
	6000	2720	7055	1665	3200
	6500	2930	7555	1875	2350
	7000	3230	8055	2175	1600

DP/GP15-20CN

All dimensions include load backrest. In case load backrest is not used h5 will increase by 410 mm, while h4 will decrease by 410 mm.

DP/GP20-35N

All dimensions include load backrest. In case load backrest is not used h5 will increase by
390 mm (20N, 25N),
350 mm (30N),
240 mm (35N), while h4 will decrease by
390 mm (20N, 25N), 350 mm (30N), 240 mm (35N).

The capacities are applicable for pneumatic shaped solid tyres (SE).

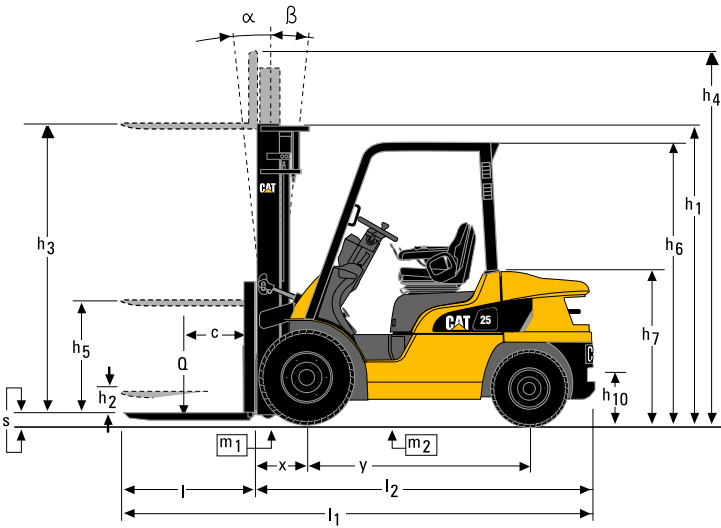
* Capacities shown require truck equipped with dual tyres. Consult your dealer for the maximum back tilt allowed, to obtain the capacities specified.

Cat Lift Trucks is renowned for its worldwide distribution network, but you will always find an experienced and dedicated team of professionals close to you. Individuals committed to helping you maximise profits.

With Cat Lift Trucks, your investment is in safe hands.

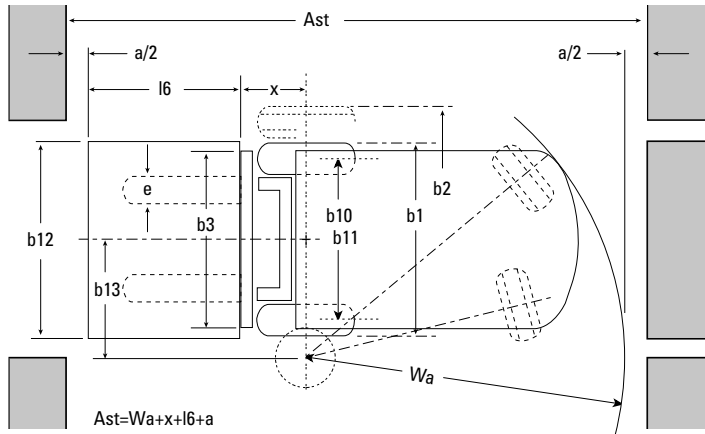
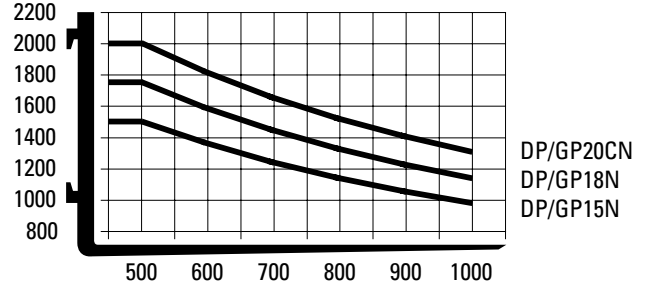
Cat® Lift Trucks.

Your partner in materials handling.



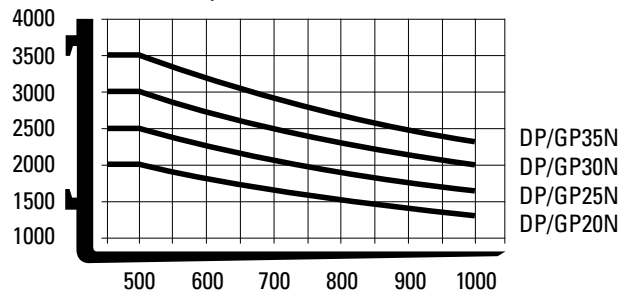
Capacity vs. Load Distance

Simplex - h3 = 3290 mm



Capacity vs. Load Distance

Simplex - h3 = 3300 mm



- Ast = $Wa + x + l6 + a$
- Ast = Working aisle width with load
- a = Safety clearance (200 mm)
- l6 = Pallet length (800 or 1000 mm)
- b12 = Pallet width (1200 mm)

info@catliftruck.com
www.catliftruck.com

CESC1874-D(01/18)ok
 ©2018, MCFE. All rights reserved.
 CAT, CATERPILLAR, BUILT FOR IT, their respective logos, "Caterpillar Yellow", the "Power Edge" trade dress as well as corporate and product identity used herein, are trademarks of Caterpillar and may not be used without permission.
 Printed in The Netherlands

NOTE: Performance specifications may vary depending on standard manufacturing tolerances, vehicle condition, types of tyres, floor or surface conditions, applications, or operating environment. Trucks may be shown with non-standard options. Specific performance requirements and locally available configurations should be discussed with your Cat lift trucks Dealer. Cat Lift Trucks follows a policy of continual product improvement. For this reason, some materials, options and specifications could change without notice.

