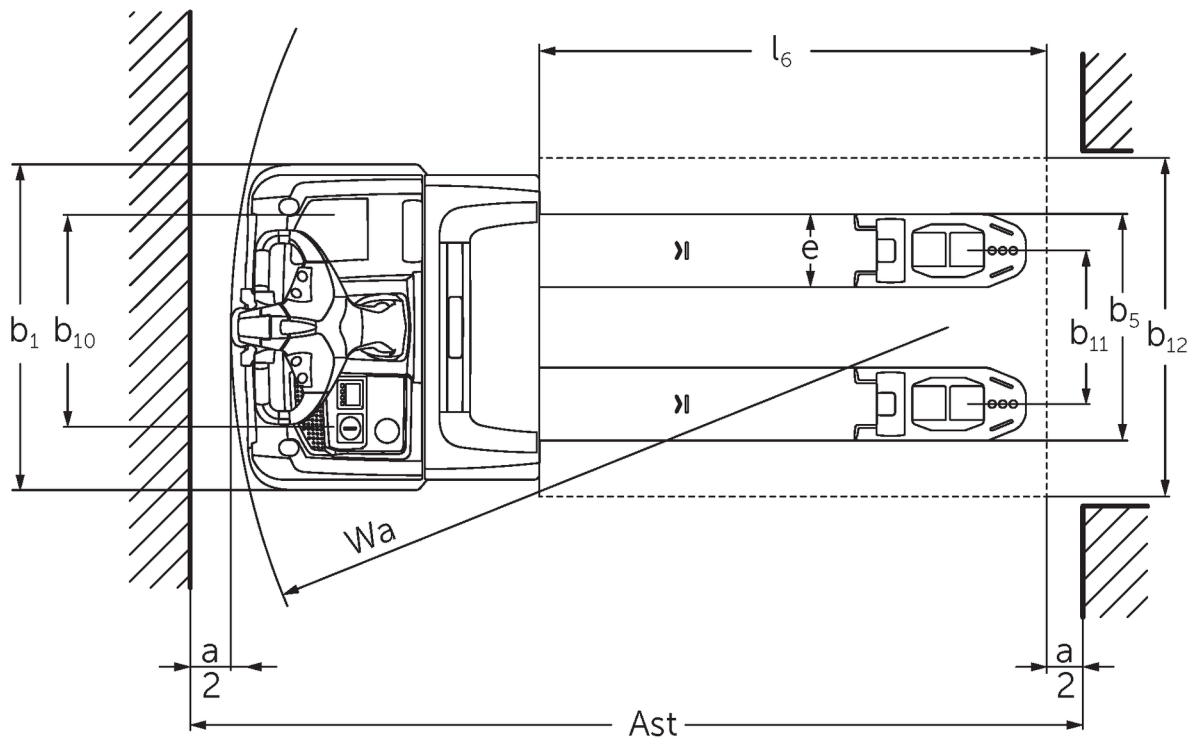
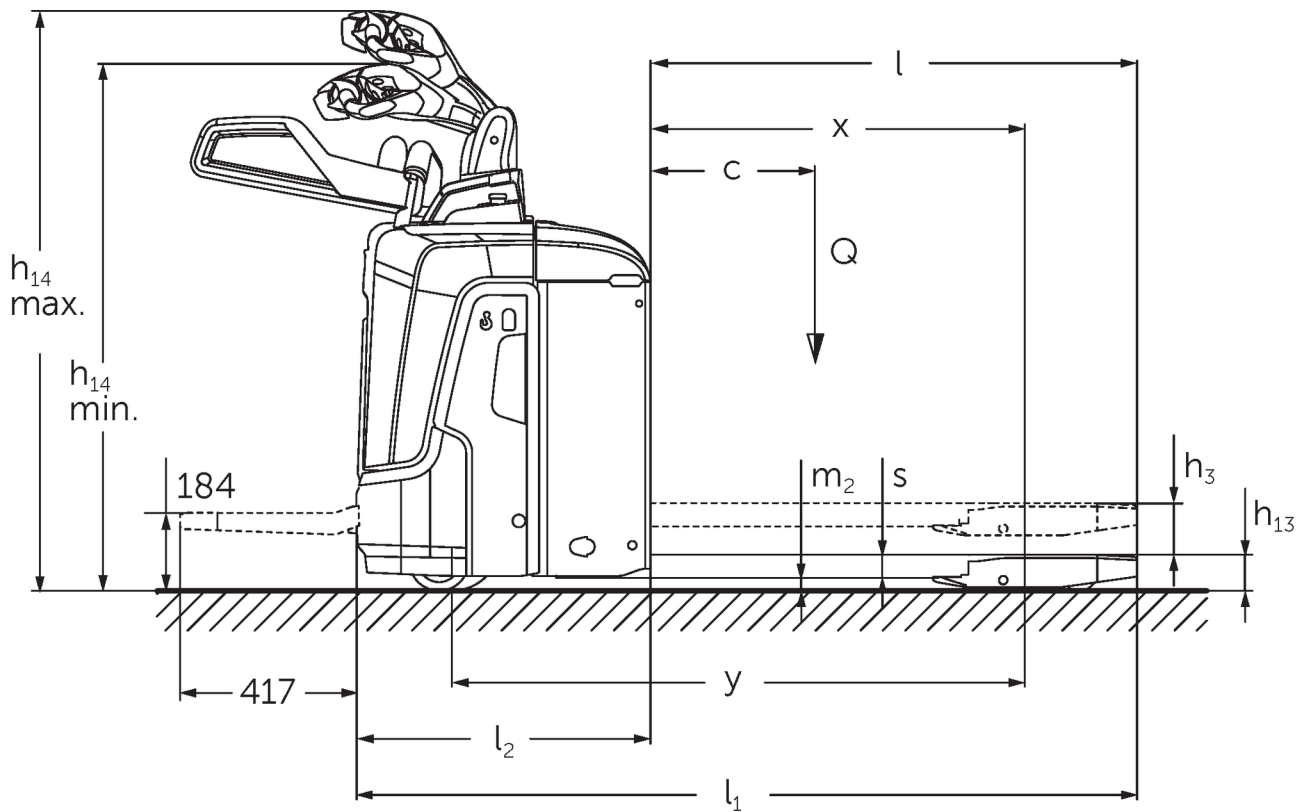




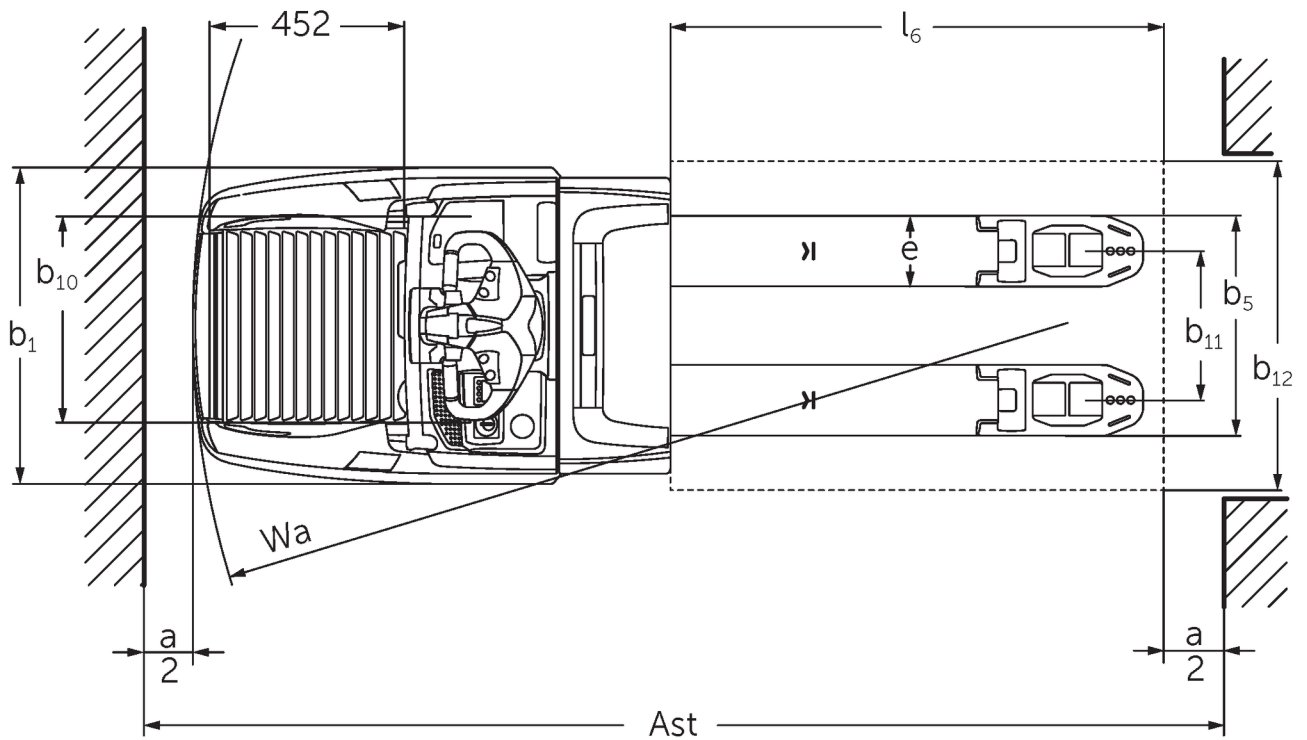
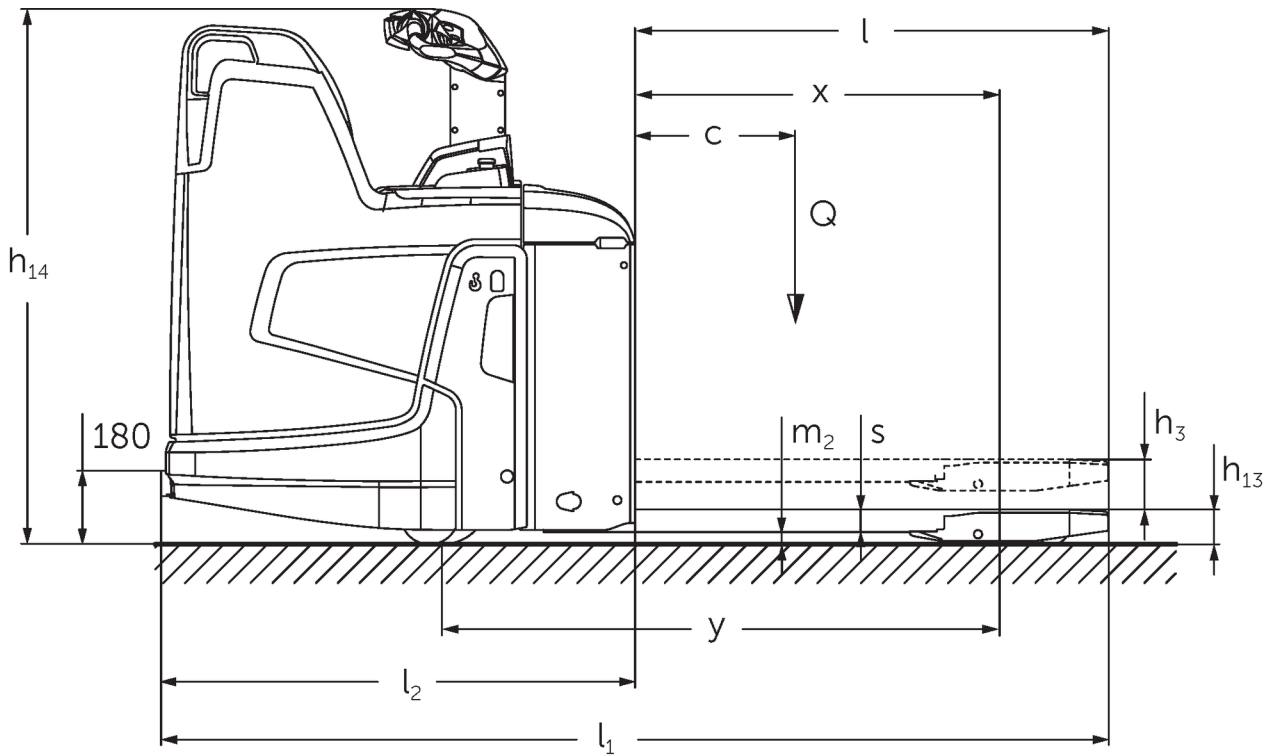
## **Electric pedestrian stacker** **ERE 120-230**

**Lift height: 122 mm / Load capacity: 2000-3000 kg**

# ERE 120-230



# ERE 120-230



# VDI table

Stand-on: 04/2021

Characteristic	1.1	Manufacturer (abbreviated description)	Jungheinrich								
			ERE 120 6km/h	ERE 120 9 km/h	ERE 125	ERE 225	ERE 225 drivePLUS	ERE 230	ERE 230 drivePLUS		
Characteristic	1.2	Manufacturer's type designation									
	1.3	Drive	Electric								
	1.4	Operation	Tiller								
	1.5	Load capacity/load	Q kg	2000		2500		3000			
	1.6	Load centre distance	c mm	600							
	1.8	Load distance, centre of drive axle to fork	x mm	908							
	1.9	Wheelbase	y mm	1378					1450		
	Weights	2.1	Service weight	kg	400		404		424		
		2.1.1	Service weight (incl. battery)	kg	-					725	
2.2		Axle load laden front/rear	kg	1825 / 795		2090 / 1126		2494 / 1239			
2.3		Axle load unladen front/rear	kg	138 / 474		159 / 550		160 / 565			
Wheels/suspension system	3.1	Tyres	Vulkollan/PU + quartz/Vulkollan								
	3.2	Tyre size, front	Ø 230 x 65		Ø 230 x 77						
	3.3	Tyre size, rear	Ø 85 x 110 / Ø 85 x 85					Ø 85 x 85			
	3.4	Additional wheels	Ø 140 x 57								
	3.5	Wheels, number front/back (x=driven)	1x +2/2 oder 4					1x +2/4			
	3.6	Tread width, front	b <sub>10</sub> mm	363							
	3.7	Tread width, rear	b <sub>11</sub> mm	512							
Basic dimensions	4.4	Lift (h <sub>3</sub> )	h <sub>3</sub> mm	122							
	4.9	Height of tiller handle in drive position min./max.	mm	1137 / 1419							
	4.15	Height, lowered	h <sub>15</sub> mm	85							
	4.19	Overall length	l <sub>1</sub> mm	1847		1919					
	4.20	Length including fork shank	l <sub>2</sub> mm	697		769					
	4.21.1	Overall width	b <sub>1</sub> mm	770							
	4.22	Fork dimensions	s/ e/l x	55 x 172 x 1150							
	4.25	Width across forks	b <sub>5</sub> mm	535							
	4.32	Ground clearance centre of wheelbase	m <sub>2</sub> mm	30							
	4.34	Aisle width (pallet 1000x1200 sideways)	Ast mm	2411		2483					
	4.34.1	Aisle width (pallet 800x1200 length)	Ast mm	2299		-					
	4.34.2	Aisle width with pallet 800x1200 sideways	mm	2414		2486					
	4.35	Turning radius	W <sub>a</sub> mm	1604							
Performance data	5.1	Travel speed laden/unladen	km/h	6 / 6	8 / 9	9 / 9	9.5 / 12.5	9.5 / 14	6 / 12.5	6 / 14	
	5.2	Lift speed laden/unladen	m/s	0.04 / 0.04		0.05 / 0.07					
	5.3	Lowering speed laden/unladen	m/s	0.05 / 0.04		0.05 / 0.05					
	5.8	Max. gradeability laden/unladen	%	5 / 7	8 / 16				6 / 16		
	5.10	Service brake		generative							
E-motor/ Electronics	6.1	Drive motor, performance S2 60 min	kW	1.2	2	2.8	3.2	2.8	3.2		
	6.2	Lift motor, performance with S3	kW	1.2		2.2					
	6.3	Battery according to DIN 43531/35/36		B	-					B	
	6.4	Battery voltage/nominal capacity	V / Ah	24 / 250					24 / 375		

	6.5	Battery weight	kg	230					297
	6.6.1	Energy consumption according to EN cycle	kWh/h	0.4	0.43	0.4	0.35	0.39	-
	6.6.2	CO2 equivalent as per EN 16796	kg/h	0.2					-
	6.7	Throughput	t/h	114	142	156	184	222	-
	6.8.1	Energy consumption with max. throughput	kWh/h	0.74	1.11	1.18	1.29	1.89	-
Other	8.1	Type of drive control		AC					
	10.7	Sound level as per EN12053, operator's ear	dB (A)	63		64	67	64	67
<p>- This data sheet according to VDI guideline 2198 only states the technical values of the standard truck. Different tyres, other masts, additional equipment etc. may result in different values.</p>									

- 1.8: 1.9: 4.33: 4.35: Load section lowered: + 56 mm - 2.1: with lateral battery exchange: + 25 kg - 4.19: 4.20: 4.33: 4.34: With platform folded down: + 416 mm; with compact platform: + 357 mm; with L platform: + 478 mm, with extended platform: + 472 mm - 4.19: 4.20: 4.33: 4.34: with lateral battery exchange: M - L/M LBE + 72 mm; L - L LBE + 53 mm - 4.34: Diagonal as per VDI: + 205 mm - 4.33: Diagonal as per VDI: + 369 mm - 4.35: Turning radius in crawl speed aisle for ERE 225 1695 mm, for ERE 230 1725 mm - 5.1: ERE 230: 9.5 km/h with 2.5 t load – further dimensions available

The German production facilities in  
Norderstedt, Moosburg and Landsberg  
are certified.

ISO 9001  
ISO 14001

Jungheinrich fork lift trucks meet  
European safety requirements.



 **JUNGHEINRICH**

The Jungheinrich logo, featuring a red upward-pointing arrow above the word 'JUNGHEINRICH' in a bold, black, sans-serif font.