

HELI
LIFTING THE FUTURE

1.5-2.0 ton
CBD15-CBD20
ELECTRIC PALLET TRUCK



**Product Model :CBD15-170
Electric Pallet Truck (Mini)**

Load capacity:1500kg
Battery capacity:70Ah
15A Built-in Charger
Drive motor: DC 0.6KW
Lift motor: DC 0.8KW
Suitable for narrow space

**Product Model :CBD15-610
Electric Pallet Truck (Mini)**

Load capacity:1500kg
Battery capacity:70Ah
Charger: The external horizontal charger 15A
Drive motor: DC 0.63KW
Lift motor: DC 0.8KW
Controller: Curtis DC 200A
Suitable for narrow space
Optional upright walking function
Optional 15A Built-in Charger

**Product Model :CBD20-100
Electric Pallet Truck (Pedestrian)**

Load capacity:2000kg
Battery capacity:210Ah
Charger: The external horizontal charger 50A
Drive motor: DC 0.93KW
Lift motor: DC 2KW
Controller: Curtis DC 200A





Product Model :CBD20-460
Electric Pallet Truck (Rider)

Load capacity:2000kg
Battery capacity:270Ah
Charger: The external horizontal charger 50A
Drive motor: vertical AC 1.5KW
Lift motor: DC 2KW
Controller: Curtis AC 200A
Electric Power Steering System for Standard

Product Model :CBD20-470
Electric Pallet Truck (Rider)

Load capacity:2000kg
Battery capacity:280Ah
Charger: The external horizontal charger 50A
Drive motor: Vertical AC 1.5KW
Lift motor: DC 2KW
Controller: Curtis AC 200A
360Ah battery for MAX.
Electric Power Steering System for Standard
Overall fork width form 540-1070mm



Product Model :CBD20-150
European Electric Pallet Truck (Pedestrian)

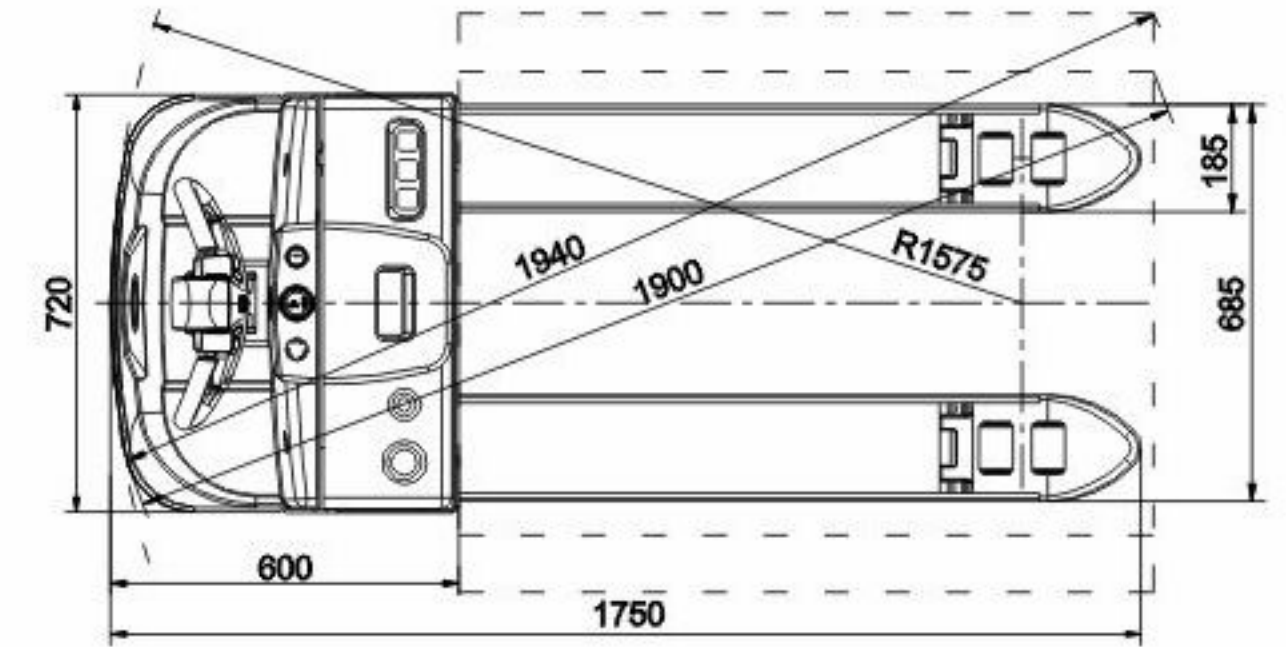
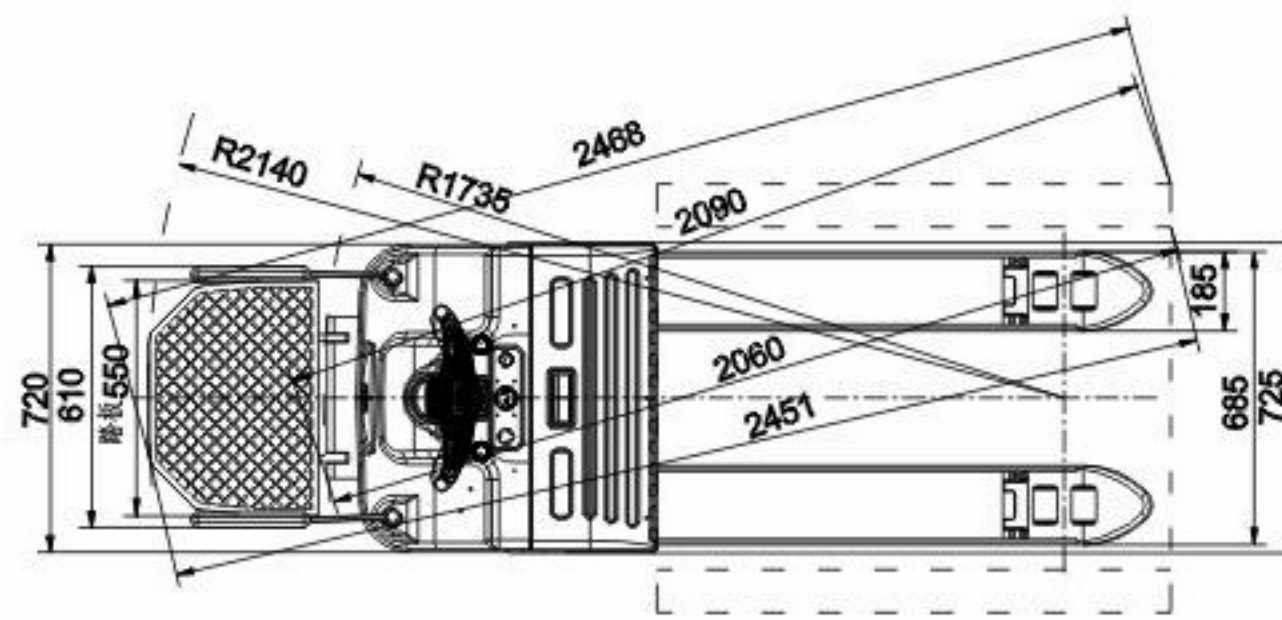
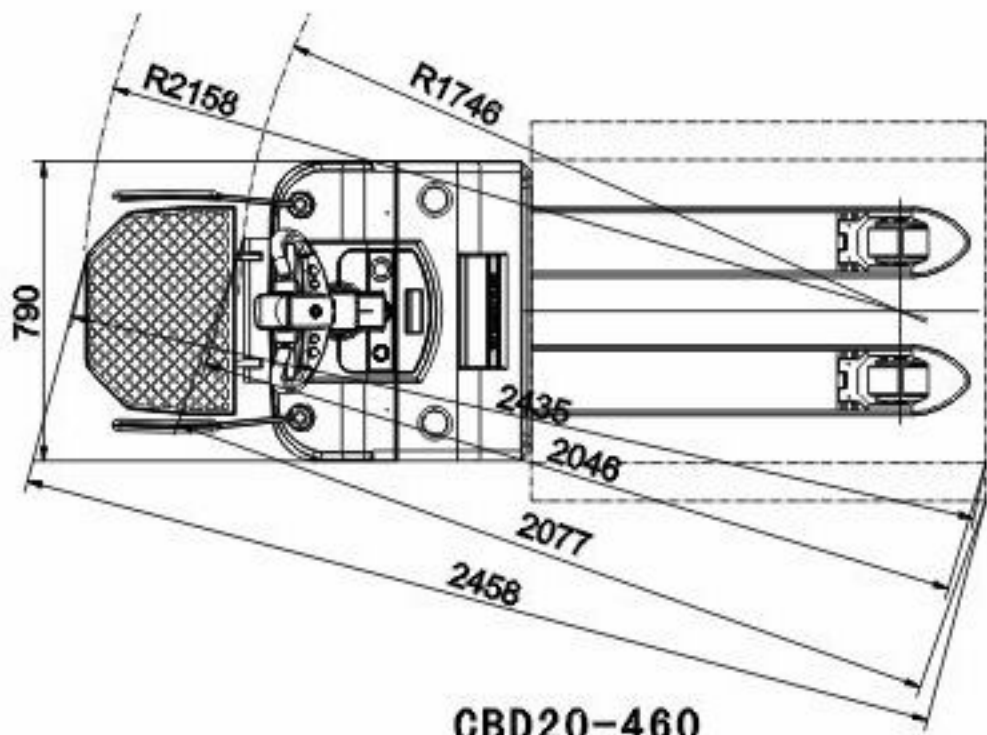
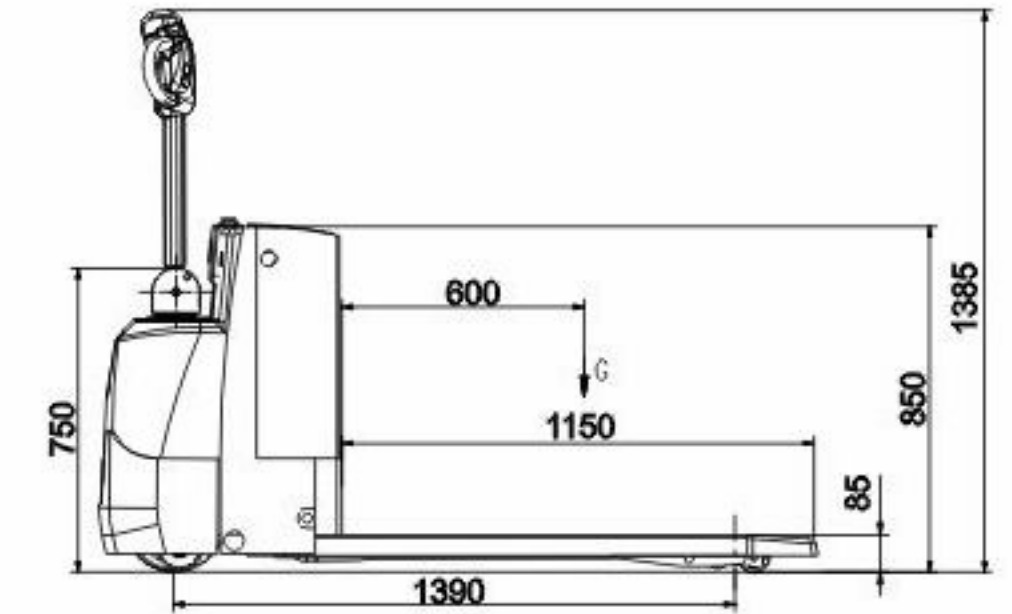
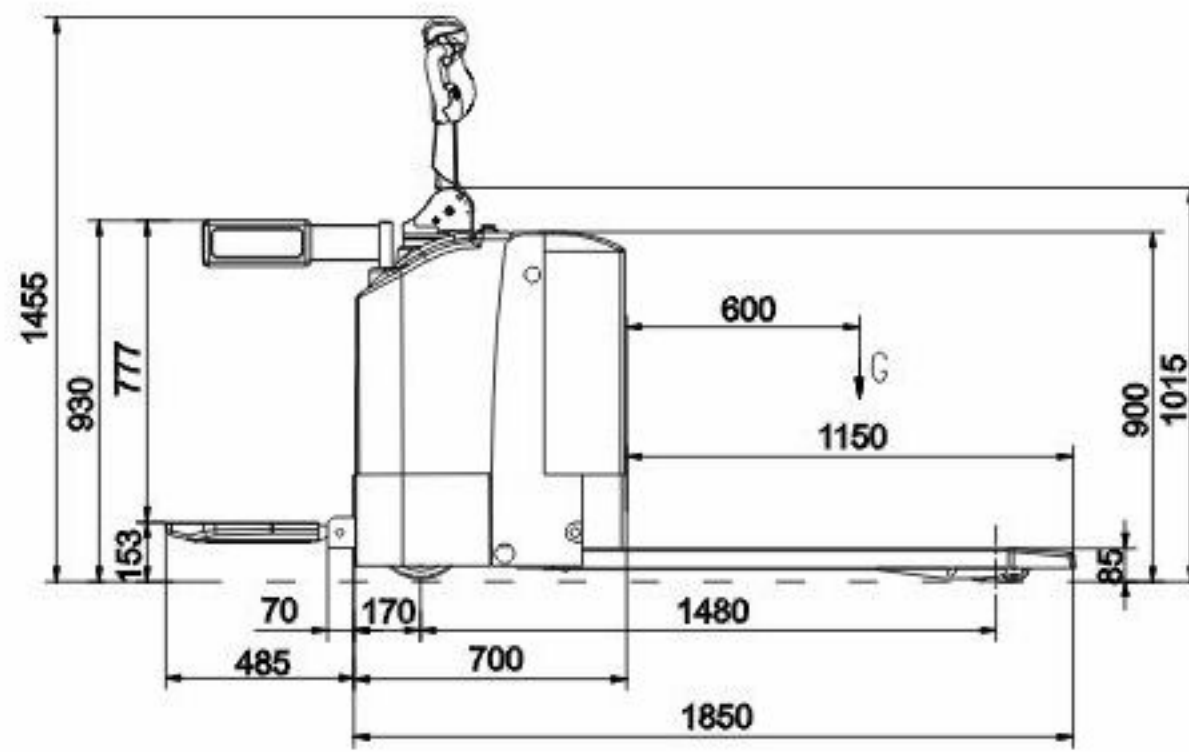
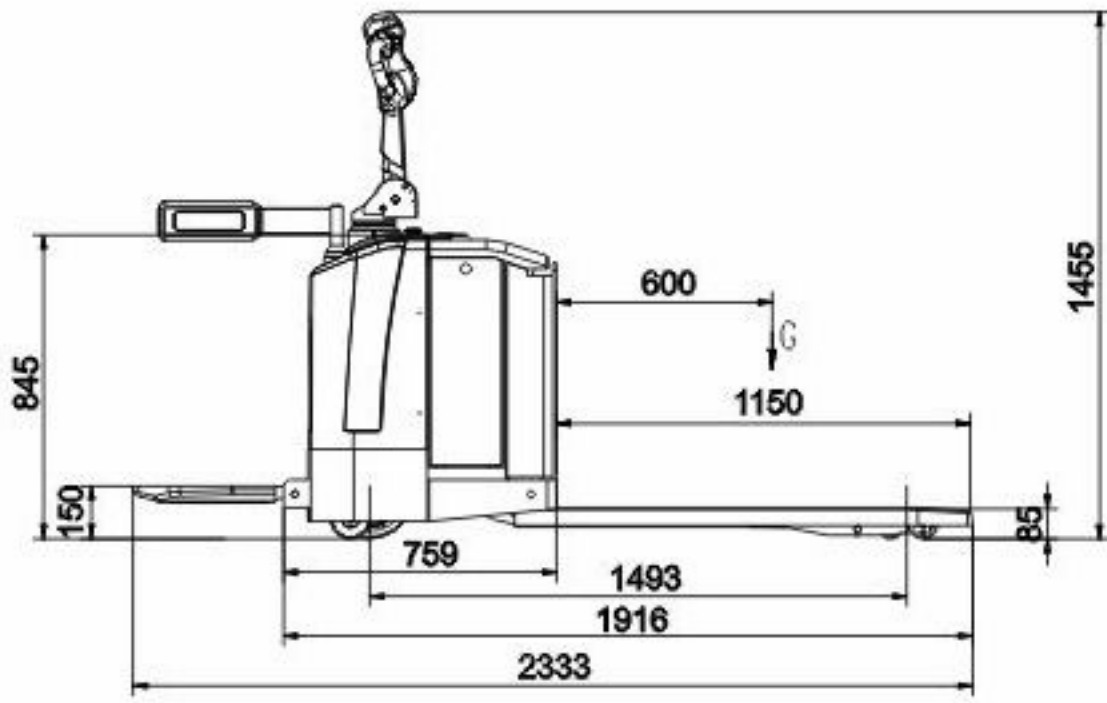
Load capacity:2000kg
Overall width:720mm
Battery capacity:210Ah
Charger: The external horizontal charger 50A
Drive motor: vertical AC 1.5KW
Lift motor: DC 2KW
Controller: Curtis AC 200A
Electric Power Steering System for Standard



Electric Pallet Truck Technical Specifications							
Feature							
1	Model		CBD15	CBD15	CBD20	CBD20	CBD20
2	Configuration No.		170	610	100	150	460
3	Load capacity	kg	1500	1500	2000		2000
4	Load center	mm	600				
5	Wheel base	mm	1165	1234	1505	1390	1493
6	Operating type		Pedestrian			Rider/Pedestrian	
Wheels							
7	Wheels type		PU				
8	Wheel quantity Driving wheel/Balance wheel/Load wheel		1/4/2		1/4/1	1/4/2	
9	Driving wheel size	mm	φ 252 × 67		266 × 126	248 × 75	
10	Balance wheel size	mm	80X58(Double wheels)		80X 80(Doublewheels)		
11	Load wheel size	mm	99.5 × 40	90 × 48	115 × 55		
Dimension							
12	Min.fork lowered height	mm	85				
13	Max.fork lifring height	mm	205		195	205	
14	Max. lifting height	mm	120		110	120	
15	Overall fork width	mm	540/600/685				
16	Fork length	mm	1150/1200				
17	Fork width	mm	160	185			
18	Fork thickness	mm	44	55			
19	Overall length	mm	1520	1630	1852	1750	1916/2333
20	Overall width	mm	704	724	764	720	790
21	Overall height(With handle)	mm	1255	1220	1380	1385	1455
22	Overall height(Without handle)	mm	680	685	765	850	845
23	Min. Turning radius	mm	1400	1400	1667	1575	1746/2158
24	Min.Aisle with for pallets 800 × 1200	mm	1908	1817	1920	1900	2046/2435
25	Min.Aisle with for pallets 1000 × 1200	mm	1946	1858	1950	1940	2077/2458
Performance							
26	Travel speed, laden/unladen	km/h	3/3.5	3.5/4	5/5	4/4	6/6
27	Lift speed, laden/unladen	mm/s	56/60				
28	Travel speed, laden/unladen	mm/s	57/59				
29	Gradeability, laden/unladen	%	5/7				
Electrical configuration							
30	Drive motor	kW	DC0.6	DC0.63	DC0.93	ACI.5	
31	Lift motor	kW	DC0.8		DC2.0		
32	Steering motor	kW	/			DC0.15	
33	Battery voltage/capacity	V/Ah	24/70		24/210	24/270	24/280
34	Brake		Electromagnetic /Regenerative				
35	Controller		CURTIS1243			CURTIS 1230	
Weight							
36	Battery weight	kg	48	190		252	288
37	Service weight with battery	kg	275	285	580	600	840



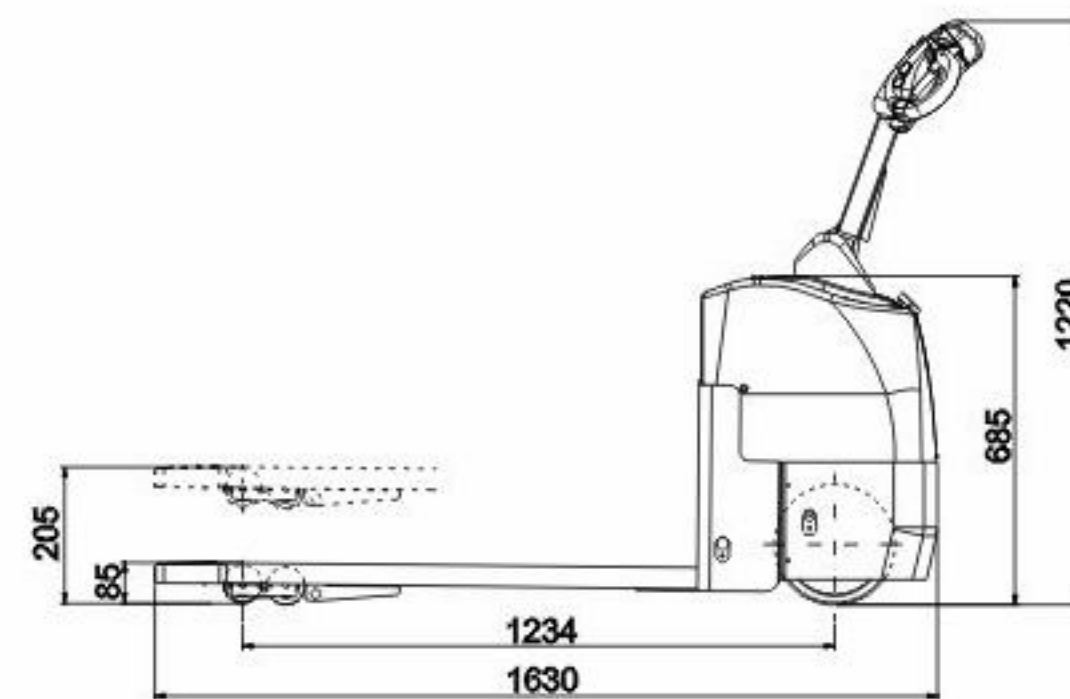
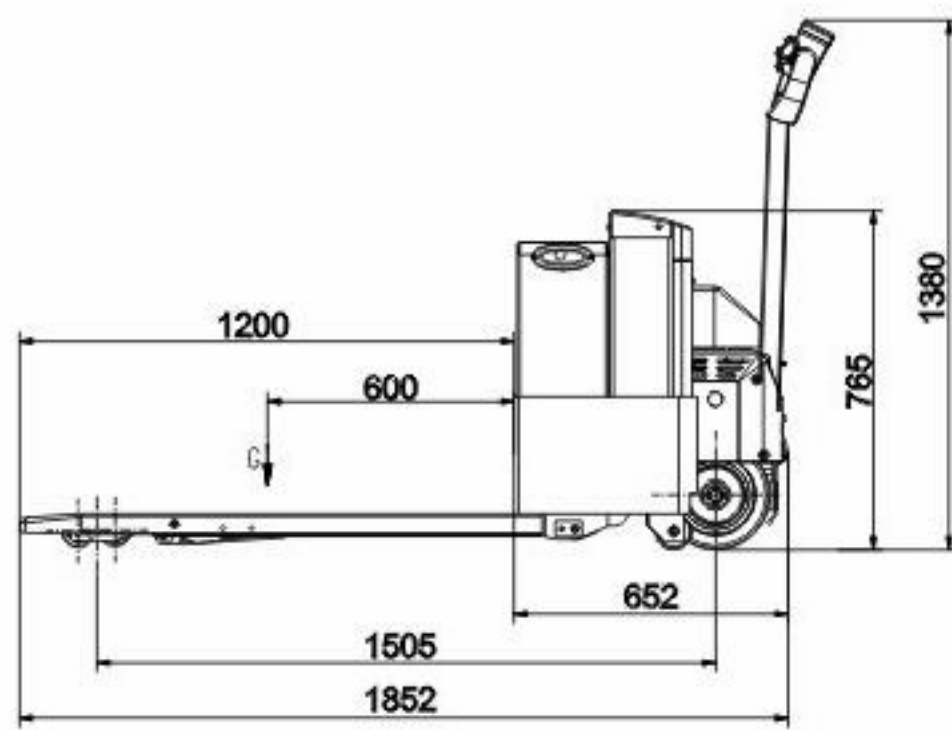
Electric Pallet Truck Dimension Drawing



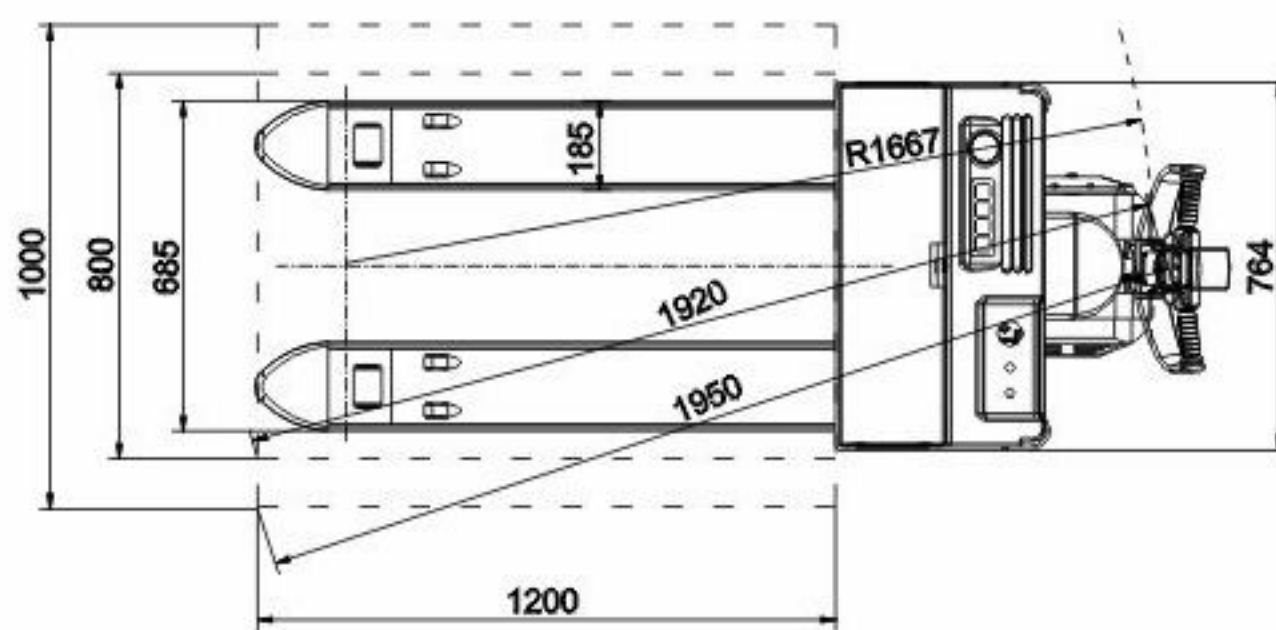
CBD20-460

CBD20-470

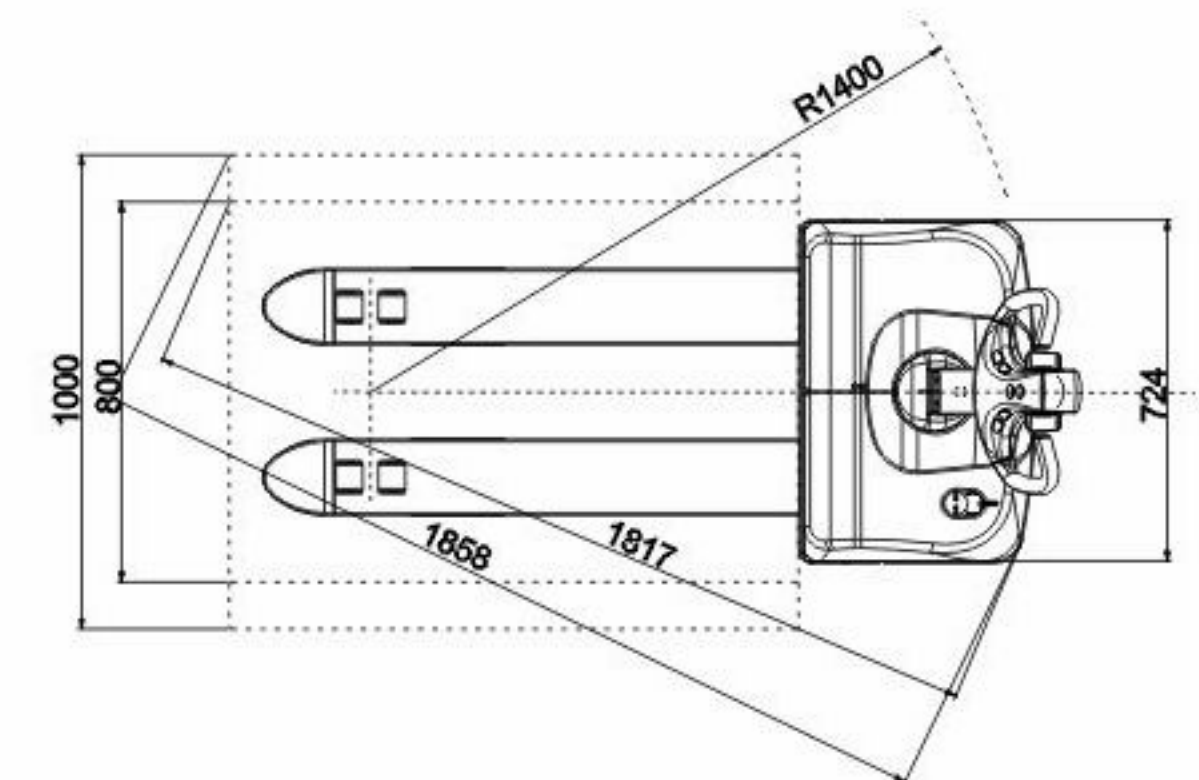
CBD20-150



CBD15-610



CBD20-100



AC Drive Unit

Curtis AC traction controller from U.S.A,
Stepless speed regulation, Automatic protection.
AC drive motor, No carbon brush, Maintenance free.
External speed encoder, Easy to service.



Electric Power Steering System



Easy operating force light, Save energy, Low noise.
Automatic centering, Automatic reset,
Automatic protection, Safety and efficiency.
Electric Power Steering System



Product Advantage



Double floating springs,
Patented design of boost
cylinder, Stronger driving force.



Side-extraction battery
More convenience
for multiple shift



Open inner-structure, numbered
wire harness in clear layout



Automatic reset handle
and pedal by gas springs
gentle, Reduce mechanical
shock.



Electronic lift limitation switch ensures safety and energy-saving.