

Manual aluminum alloy lift

Product configuration

Standard configuration	
Arm material 200*95*7.5 high and light aluminum alloy, thickness 7.5mm	Chassis material 100*50*4 rectangular tube and 10mm steel plate bending
Wire rope 6mm, 1960 compressive super soft wire rope imported from the United State	Wheels 4 inch swivel wheel, 5 inch brake swivel wheel, 3.5 inch swivel wheel (polyurethane)
Guide wheel Including bearings (imported bearings for Japanese elevators)	Winch Taiwan-made alloy steel, heavy load
Operation mode Manual	Walking mode and configuration Manual implementation
Wind resistance level < 4	



Specification

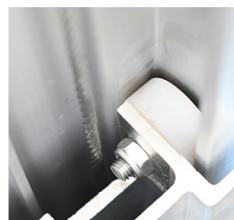
Model	Fork Size (M)	Lifting height (M)	Self weight (KG)	Operation method	Load capacity (KG)	Overall size (M)
GTWY-2	0.7*0.55	2	125	Manual	400	0.82*0.82*2.05
GTWY-3.5	0.7*0.55	3.5	145	Manual	400	0.82*0.82*2.05
GTWY-5	0.7*0.55	5	170	Manual	300	0.82*0.82*2.05
GTWY-6.5	0.7*0.55	6.5	190	Manual	300	0.82*0.82*2.05
GTWY-7.9	0.7*0.55	7.9	210	Manual	200	0.82*0.82*2.05



2600 lb labor-saving alloy steel hand winch, Bold integrated shaft, thickness 8.8mm



1960 Tensile resistance M6 Wire rope with anti-shedding protective cover



Wear-resistant and corrosion-resistant nylon slider



Foldable outrigger Space saving and easy operation



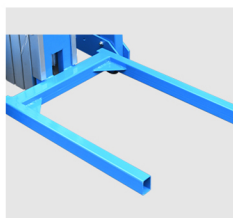
200*95*7.5 High strength aluminum alloy



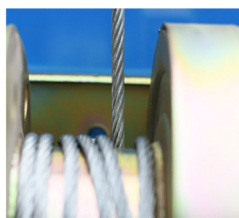
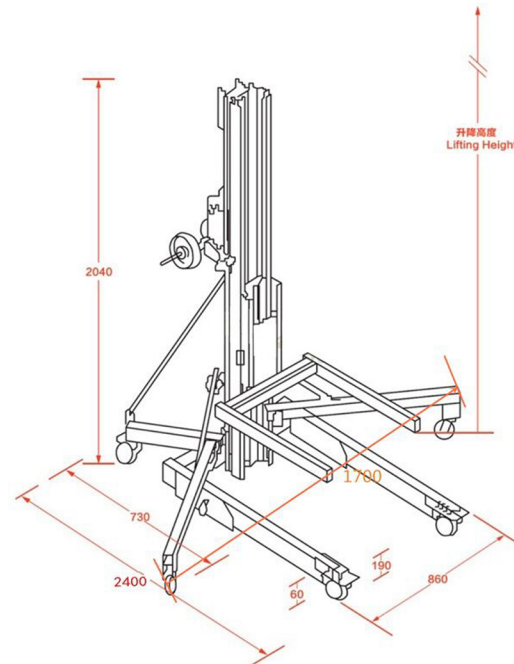
Polyurethane rear wheel with brake



Put down the special auxiliary wheel, Fits easily into truck



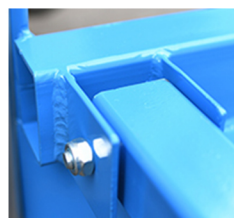
Fork connectio part, triangular reinforcement design



Reinforced wire rope bearing



The screws of the whole machine are all grade 8.8



Screw-fixed outriggers, detachable and foldable



Double circlip winch with self-locking function

