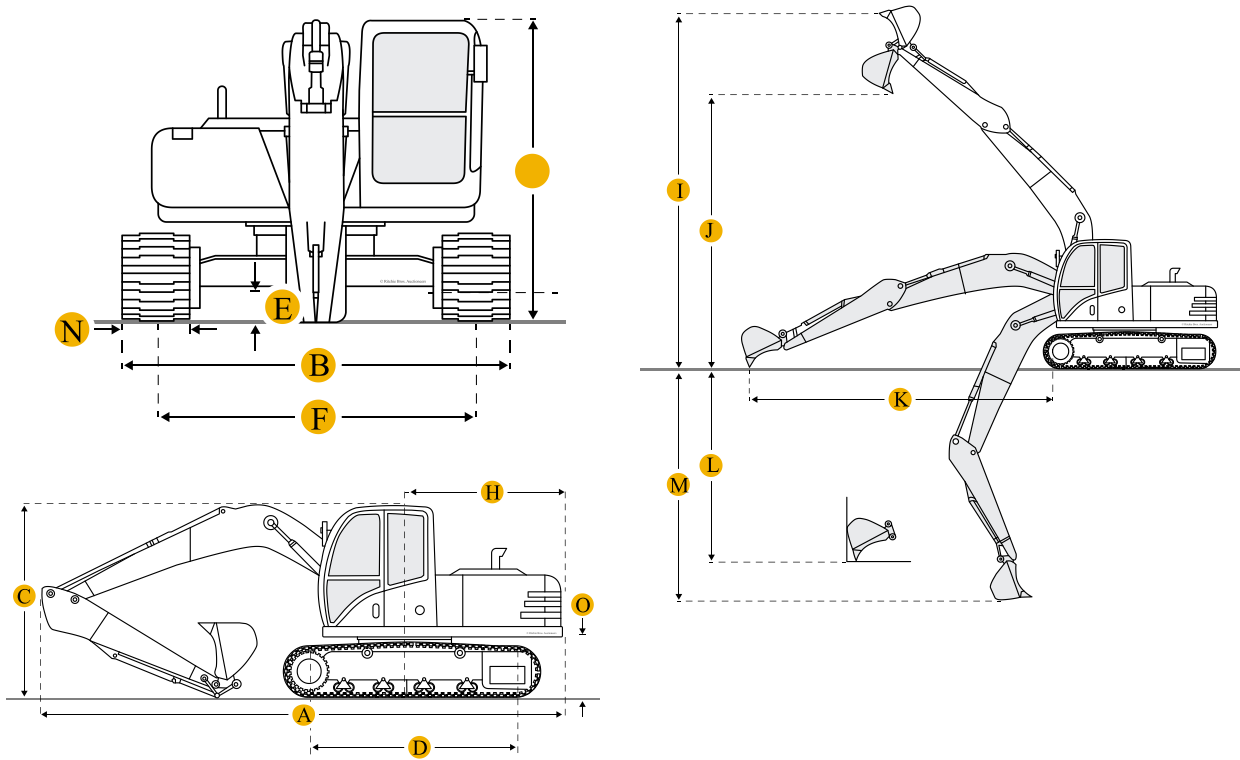




BENCO MARITIME PTE LTD

8 Boon Lay Way, #11-07, 8 @ TradeHub 21, Singapore 609964
 Tel : (65) 6861 3060 Fax : (65) 6861 2628
 Co. No. 198801167K

SUMITOMO SH130-5 HYDRAULIC EXCAVATOR



Dimensions

Boom/Stick Option (Hex) 1

A	Shipping Length Of Unit	7620 mm
C	Shipping Height Of Unit	2810 mm
K	Max Reach Along Ground	8270 mm
L	Max Vertical Wall Digging Depth	4950 mm
M	Max Digging Depth	5540 mm

Dimensions

E	Ground Clearance	440 mm
B	Width To Outside Of Tracks	2590 mm

D	Length Of Track On Ground	2780 mm
H	Tail Swing Radius	2130 mm
Undercarriage		
N	Shoe Size	500 mm
	Max Travel Speed	5.6 km/h

Specifications

Engine

Number Of Cylinders	4
Engine Make	2353
Engine Model	AJ-4JJ1X
Gross Power	70.9 kw
Power Measured @	2000 rpm
Displacement	3 L
Operational	
Operating Weight	12500 kg
Hydraulic System Relief Valve Pressure	38200 kPa