



# TITAN<sup>®</sup>

BY CHICAGO PNEUMATIC



## LP SERIES

Low Profile Hydraulic Torque Wrenches



- ✓ **Low Profile**
- ✓ **Versatile**
- ✓ **Powerful**



[www.TITANti.com](http://www.TITANti.com)  
[www.cp.com](http://www.cp.com)

**People. Passion. Performance.**

# LP SERIES

## Low Profile Hydraulic Torque Wrenches



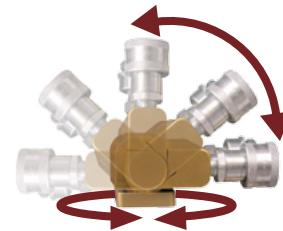
Designed to Fit the Tightest Application

### FLAT DESIGN

- Easy fit on the tightest bolt patterns
- Sits flat on the application

### PATENTED MULTI AXIS THRU-SWIVEL

- Allow hose liberty movement
- Greater range of hose position



### UNIQUE WIDE-TRACK RATCHET TEETH

- Multi surface engaged to better handle deflection forces

### MODULAR CONCEPT

- One cylinder compatible with several links

Model	Range of Hex Sizes		Torque				Cylinder Weight		Range of Link Weight	
			ft.lbs.		Nm					
	in	mm	min	max	min	max	lbs.	kg	lbs.	kg
<b>LP2</b>	3/4 to 2 3/8	19 to 60	268	1826	363	2476	3.45	1.56	2.2 to 3.5	1 to 1.58
<b>LP4</b>	1 to 3 1/8	25 to 80	504	3451	683	4680	5.8	2.62	5.25 to 7.5	2.38 to 3.4
<b>LP8</b>	1 13/16 to 4 1/2	46 to 115	1075	8024	1458	10881	10.2	4.62	11.4 to 14.1	5.16 to 6.39
<b>LP16</b>	2 3/8 to 4 11/16	60 to 120	2360	16231	3200	22009	15.5	7.01	19.7 to 27.6	8.91 to 12.5
<b>LP32</b>	3 7/8 to 6 1/8	98 to 155	5250	33000	7119	44748	18	8.14	32 to 99	14.5 to 44.9
<b>LP48</b>	3 7/8 to 6 1/8	98 to 155	7125	43000	9662	58308	19.4	8.78	35 to 99	15.84 to 44.9

Product reference / part number will vary depending on your region and option choices.  
 Specifications are subject to change without notification. Please refer to your regional sales representative for more information.

# Superior Bolting Solutions

## Low Profile, Versatile and Powerful

### RELIABLE & EFFICIENT



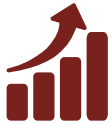
The Titan WIDE TRACK ratchet tooth design distributes stress evenly, which provides a bigger contact area that delivers the strength to get the job done right every time.

### ROBUST DESIGN



Crafted from the highest quality aircraft-grade materials for ultimate strength and durability (AISI 4340 alloy steel)

### POWERFUL



The LP series offers an excellent power to weight ratio for easy, powerful and efficient bolting

### ACCURACY



Certified torque accuracy of +/-3%

Robust ratchet mechanism assures repeatability

### FLAT DESIGN



Low nose and flat design for extremely tight application accessibility

### CERTIFIED CALIBRATION



Every tool is provided with a certification of calibration with traceability to NIST by an independent lab – NVLAP – using certified calibration equipment and procedure

All tools are manufactured to ISO 9001/AS9100C:2009 quality standards.

To reduce risk of injury, everyone using, installing, repairing, maintaining, changing accessories on, or working near hydraulic tools must read and understand the instructions of use delivered with the tool, before performing any such task.



## Applications



Wind Mill,  
Power Plant



Oil, Gas and  
Petrochemical



Mining and  
Construction  
Heavy Equipment





### Over 110 years of experience

Since 1901 the Chicago Pneumatic (CP) name has represented reliability and attention to customer needs, with construction, maintenance and production tools and compressors designed for specific industrial applications. Today, CP has a global reach, with local distributors around the world.

To learn more about our extensive range of tools, construction equipment, industrial and portable compressors, accessories and workshop equipment, please visit [www.cp.com](http://www.cp.com).

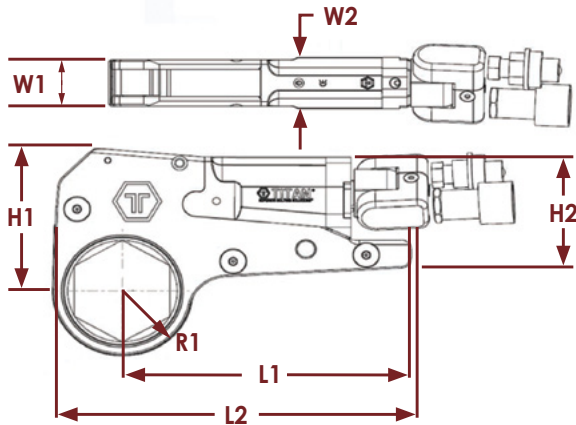


### Titan is now part of Chicago Pneumatic

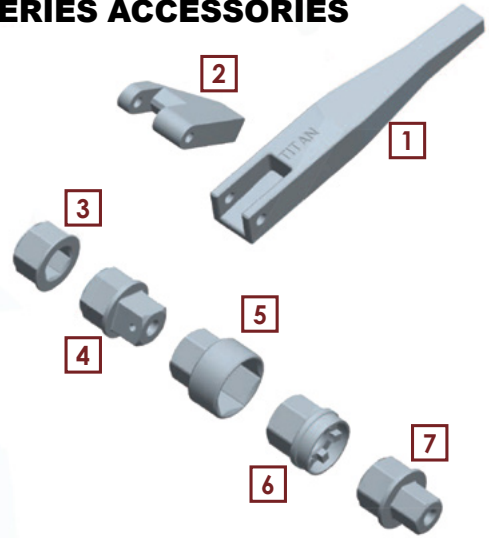
Since 2001, Titan products are in use every day in a wide variety of industries including oil & gas, mining and construction, power plants, shipyards, steel mills, locomotives, off-road equipment and cranes, and all types of industrial service companies supporting these market sectors. Titan hydraulic tools continually satisfy the demands of the industry during construction, production, breakdown, and routine shutdown repair and maintenance.

## LP SERIES DIMENSIONS

Dimensions		LP2	LP4	LP8	LP16	LP32	LP48
L1 - Maximum reaction reach	in / mm	7 / 177.8	8.41 / 213.6	11.31 / 287.3	14 / 355.6	16 / 406.4	16 / 406.4
L2 - Overall length	in / mm	8.9 / 226.1	10.7 / 271.8	14.27 / 362.5	17.95 / 455.9	19.25 / 489	19.25 / 489
H1 - Center of bolt to top of tool	in / mm	3.86 / 98	4.77 / 121.2	6.16 / 156.5	7.25 / 184.2	10.5 / 266.7	10.5 / 266.7
H2 - Back end height	in / mm	3.45 / 87.6	3.78 / 96	6.05 / 153.7	8.5 / 215.9	10.9 / 276.9	10.9 / 276.9
R1 - Tool radius around the bolt	in / mm	1.03 to 1.75 / 26.2 to 44.5	1.31 to 2.3 / 33.3 to 58.4	1.72 to 2.95 / 43.7 to 74.9	1.95 to 3.5 / 49.5 to 88.9	2.5 to 4.75 / 63.5 to 121	2.75 to 4.75 / 69.9 to 121
W1 - Tool width at link	in / mm	1.25 / 31.8	1.62 / 41.1	2.1 / 53.3	2.35 / 59.7	2.55 / 64.8	2.55 / 64.8
W2 - Tool width at cylinder	in / mm	1.25 / 31.8	1.75 / 44.45	2.1 / 53.3	2.45 / 62.2	2.8 / 71.1	3.1 / 78.7



## LP SERIES ACCESSORIES



## STEEL TWINLINE HOSE ASSEMBLY

Size	
ft	m
10	3
15	4.5
20	6
25	7.5
30	9
40	12
50	15
100	30



	Accessories
1	Extended alco arm
2	Reaction paddle - Flip Flop
3	Hex reducer
4	Square drive adapter
5	Stack socket
6	Castellated stack socket
7	Hex drive adapter



[www.TITANti.com](http://www.TITANti.com)

[www.cp.com](http://www.cp.com)

English  
© Copyright 2015

The TITAN name and logo are registered trademarks of Chicago Pneumatic Tool Company LLC.