

1601

Wheel Dumpers



**WACKER
NEUSON**
all it takes!



Three different types of skip mean even greater utility – 1601.

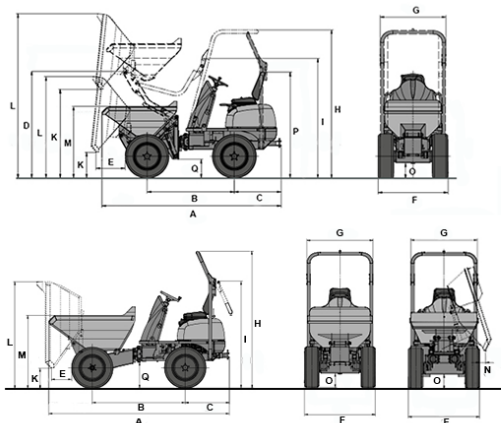
Even greater utility for building processes, logistics and environmental technology: The standard front-tipping skip is ideal for fast material turnover. The high-tipping skip bridges differences in height. The swivel-tipping skip with its 180-degree tilt dumps the material precisely where it is needed.

- Three different types of skip: Front-tipping skip (standard); high-tipping skip and optional swivel tipping skip, maximum payload 1,500 kg.
- Hydrostatic twin-lock all-wheel drive.
- Continuously variable speed up to 16 km/h max.
- Large service and maintenance access.
- Clearly laid out instrument panel and wide, robust leg protection.

1601 Technical specifications

	Front tip skip	Swivel tip skip	High tip skip
Operating data			
Payload kg	1,500	1,500	1,500
Shipping weight kg	1,261	1,261	1,261
Skip capacity level I	829	650	650
Skip capacity heaped I	1,044	800	800
Skip capacity water level I	612	325	420
Engine / Motor			
Engine / Motor manufacturer	Yanmar	Yanmar	Yanmar
Engine / Motor type	3TNV76	3TNV76	3TNV76
Engine / Motor	Diesel	Diesel	Diesel
Engine performance acc. to ISO 3046/1 kW	17	17	17
Displacement cm ³	1,116	1,116	1,116
Engine RPM rpm	3000	3000	3000
Travel speed km/h	16	16	16
Articulation angle °	33	33	33
Pendulum angle °	15	15	15
Turning radius mm	3,300	3,300	3,300
Gradeability %	50	50	50
Tires	10.00/75-15	10.00/75-15	10.00/75-15
L x W x H mm	3310 x 1310 x 2550	3220 x 1310 x 2550	3300 x 1310 x 2550
Steering pump	Axial piston pump	Axial piston pump	Axial piston pump
Flow rate l/min	84	84	84
Operating pressure bar	420	420	420
Duty pump	Gear pump	Gear pump	Gear pump
Flow rate l/min	25	25	25
Operating pressure bar	170	170	170
Fuel tank capacity l	20	20	20
Sound level (LwA) dB(A)	101	101	101

1601 Dimensions



		Front tip skip	Swivel tip skip	High tip skip
A	Overall length	3,310 mm	3,220 mm	3,300 mm
B	Wheelbase	1,700 mm	1,700 mm	1,650 mm
C	Rear overhang	810 mm	810 mm	810 mm
D	Height			1,885 mm
E	Dumping distance	370 mm	280 mm	400 mm
F	Width vehicle	1,305 mm	1,305 mm	1,305 mm
G	Skip width	1,300 mm	1,260 mm	1,200 mm
H	Height ROPS	2,550 mm	2,550 mm	2,550 mm
I	Height ROPS tipped	1,960 mm	2,000 mm	2,000 mm
K	Dump height max.	360 mm	705 mm	370 mm
K	Dump height max. High tip skip raised			1,600 mm
L	Skip height gekippt	1,970 mm	2,240 mm	1,895 mm
L	Skip height High tip skip raised			2,975 mm
M	Skip height	1,345 mm	1,310 mm	1,345 mm
N	Dumping distance lateral		100 mm	
O	Ground clearance	260 mm	270 mm	270 mm
Q	Distance	460 mm		390 mm

Please note: that product availability can vary from country to country. It is possible that information / products may not be available in your country. More detailed information on engine power can be found in the operator's manual; the stated power may vary due to specific operating conditions. Subject to alterations and errors excepted. Applicable also to illustrations.
Copyright © 2019 Wacker Neuson SE.